

6x9 Greenhouse Kit Instructions

Mueller Greenhouse Building Kits are not engineered structures and do not meet any specific building code criteria.
For video installation instructions, visit our website at www.muellerinc.com/downloads-home/videos-home

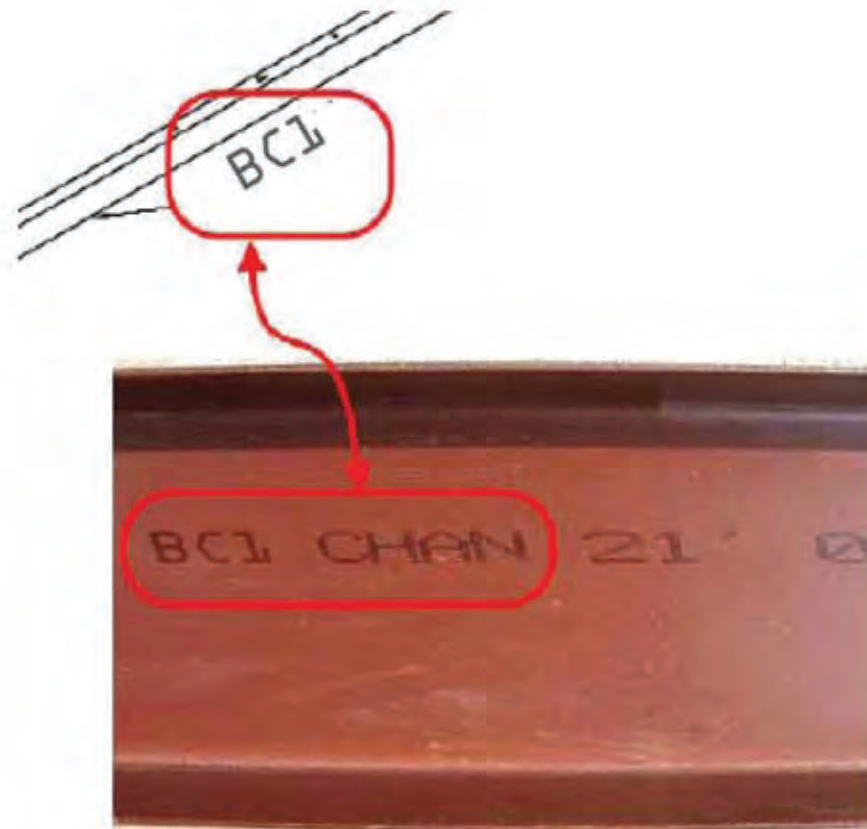
877-2- MUELLER • www.muellerinc.com



PARTS LIST

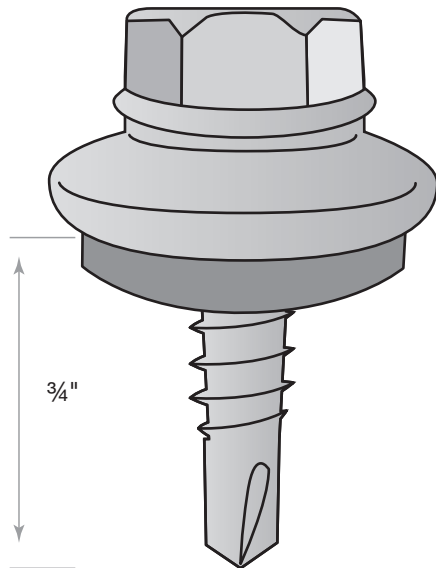
Refer to the parts list on the itemized invoice delivered with your building.

All parts are stenciled on the inside of the channel, purlin, girts and rafters. Example of this below:

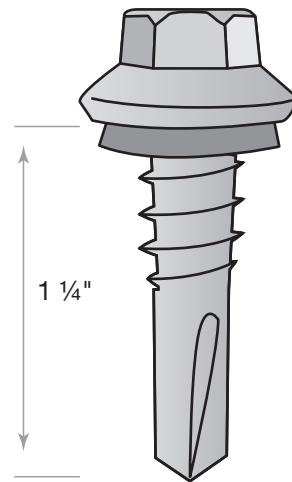


TYPES OF SCREWS

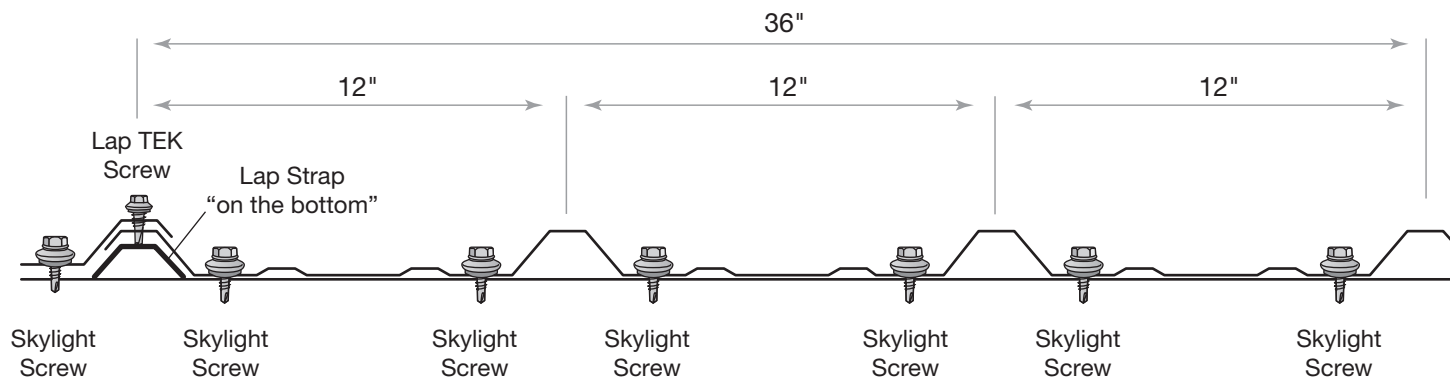
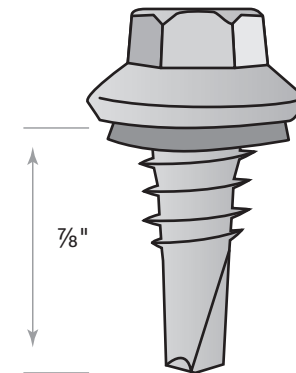
Skylight Screw
"Large Head"



TEK Screw
For attaching sheet metal to purlin

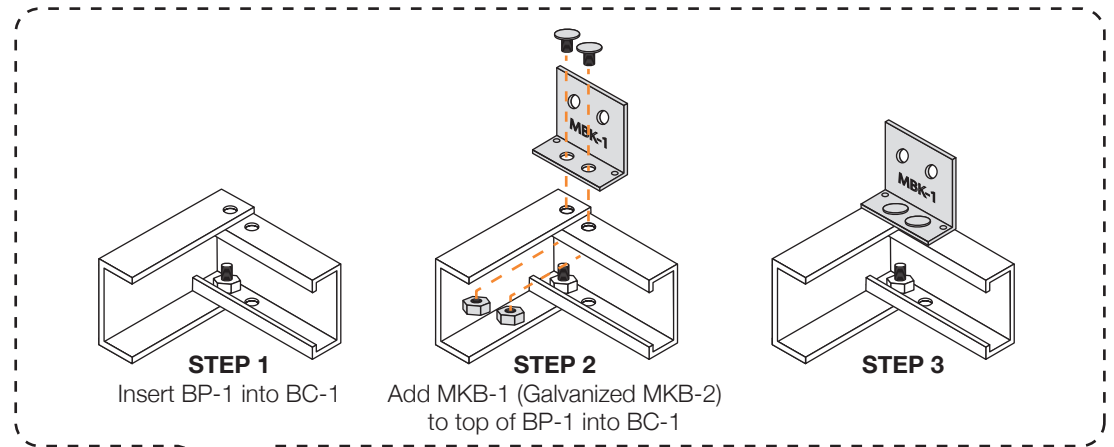


Lap TEK Screw
For attaching sheet metal to sheet metal

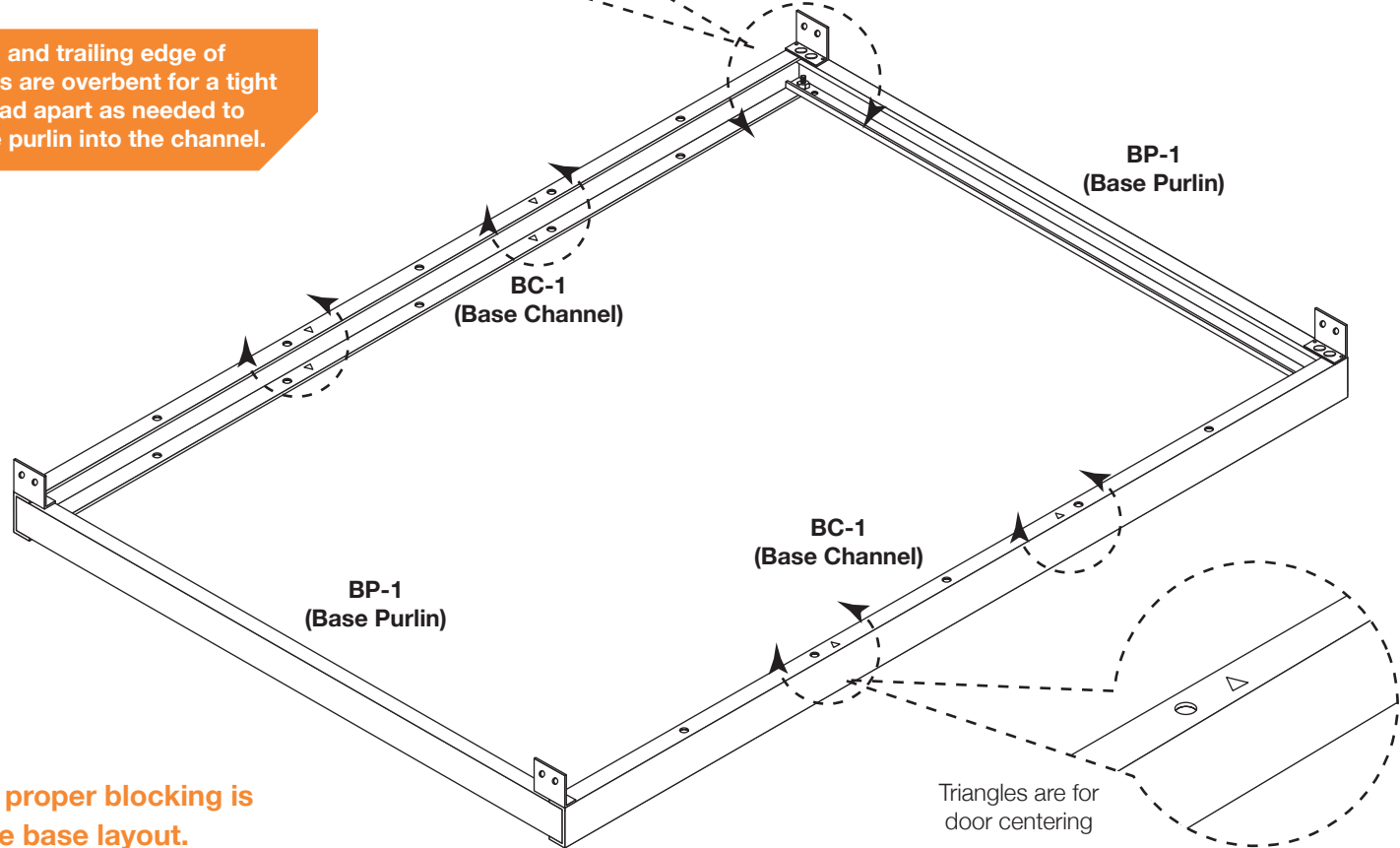


NOTE: Make sure to use TEK screws to attach sheets to purlins, lap TEK screws to attach sheets to sheets.

BASE LAYOUT (BC-1 AND BP-1)



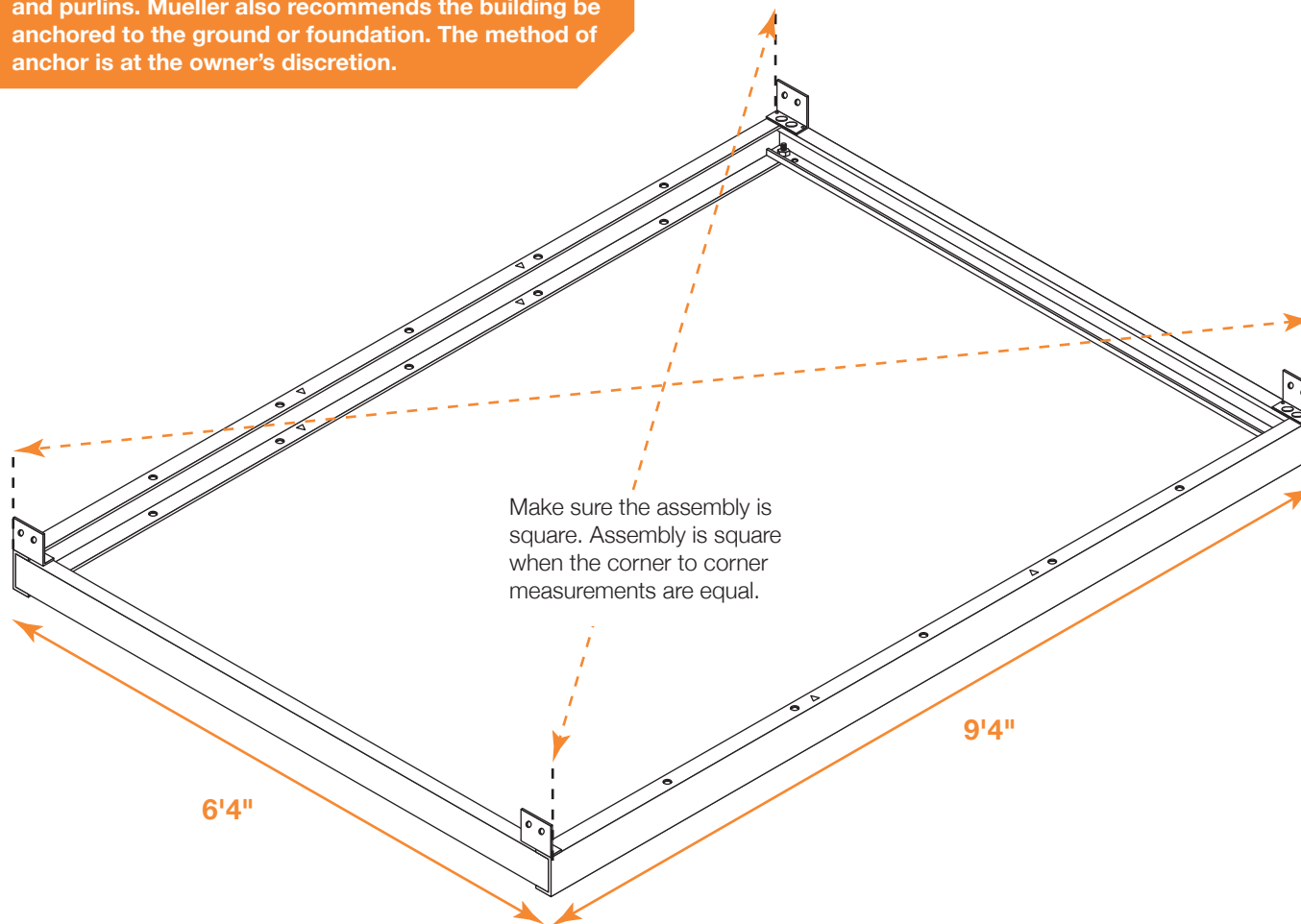
NOTE: Leading and trailing edge of channels are overbent for a tight fit. Spread apart as needed to nest the purlin into the channel.



Leveling and proper blocking is critical for the base layout.

MAKE SURE THE ASSEMBLY IS SQUARE

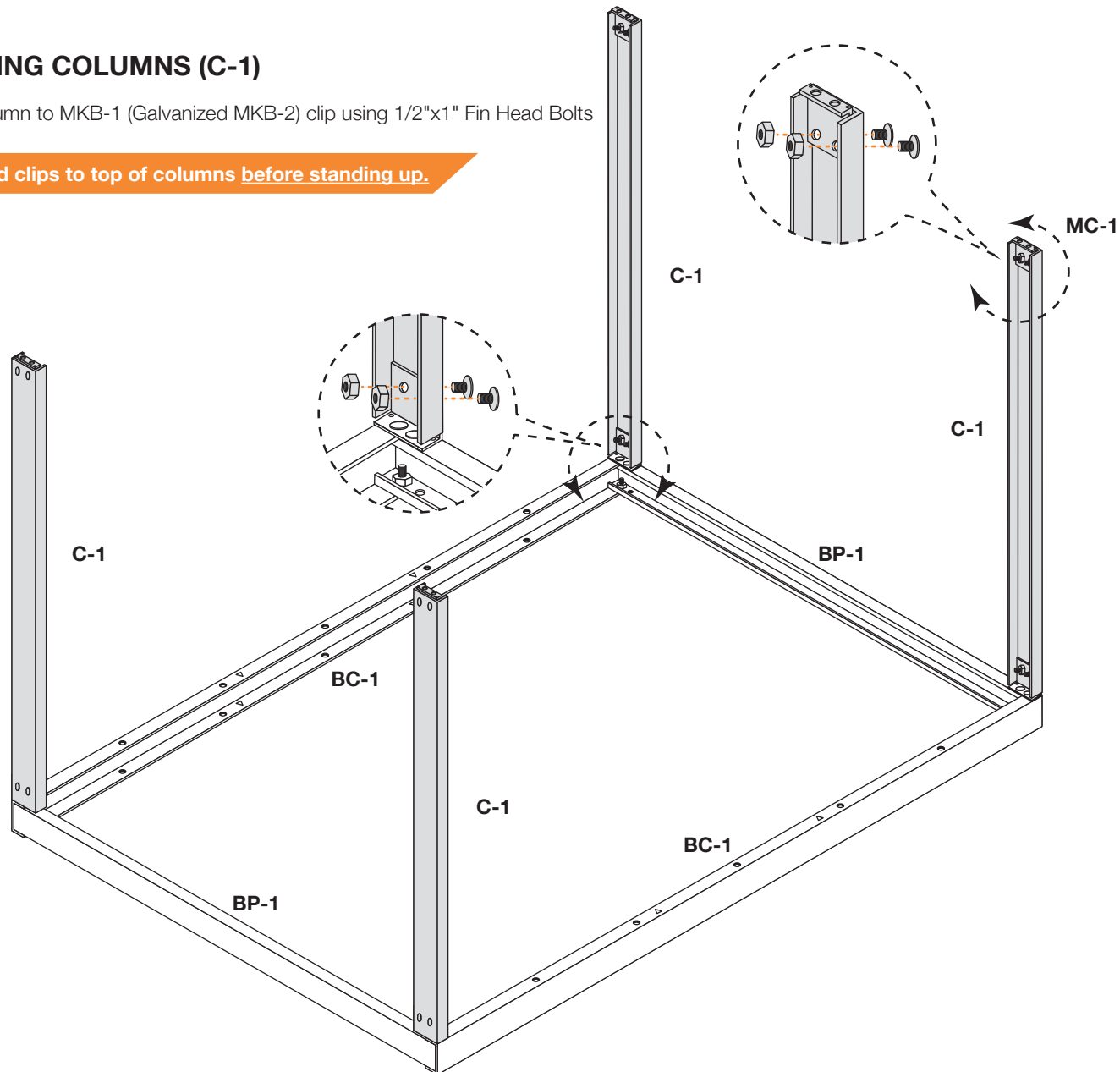
NOTE: Mueller recommends the building be placed on leveling blocks (not included) to support the base channel and purlins. Mueller also recommends the building be anchored to the ground or foundation. The method of anchor is at the owner's discretion.



ERECTING COLUMNS (C-1)

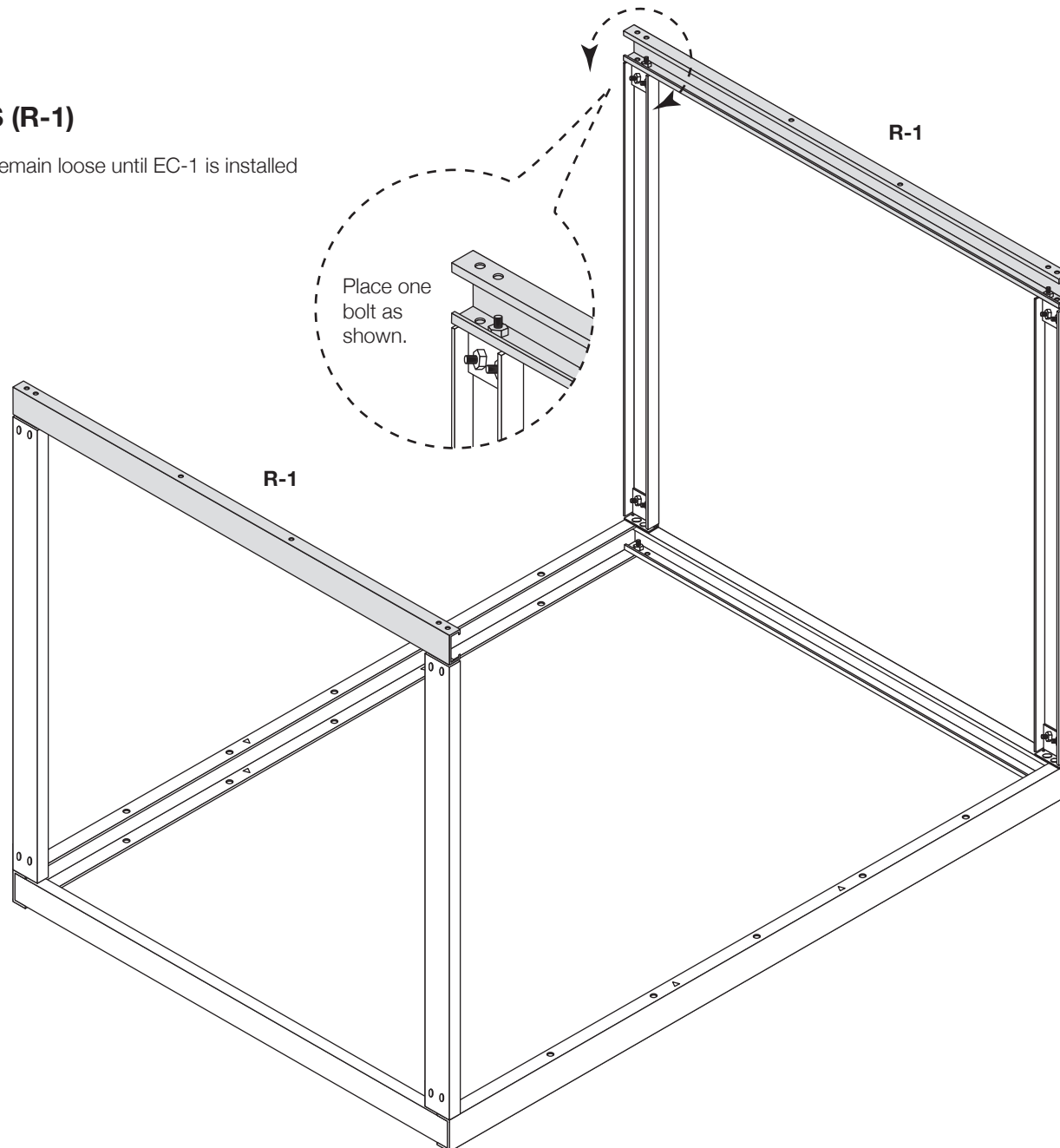
Attach column to MKB-1 (Galvanized MKB-2) clip using 1/2"x1" Fin Head Bolts

HINT: Add clips to top of columns before standing up.



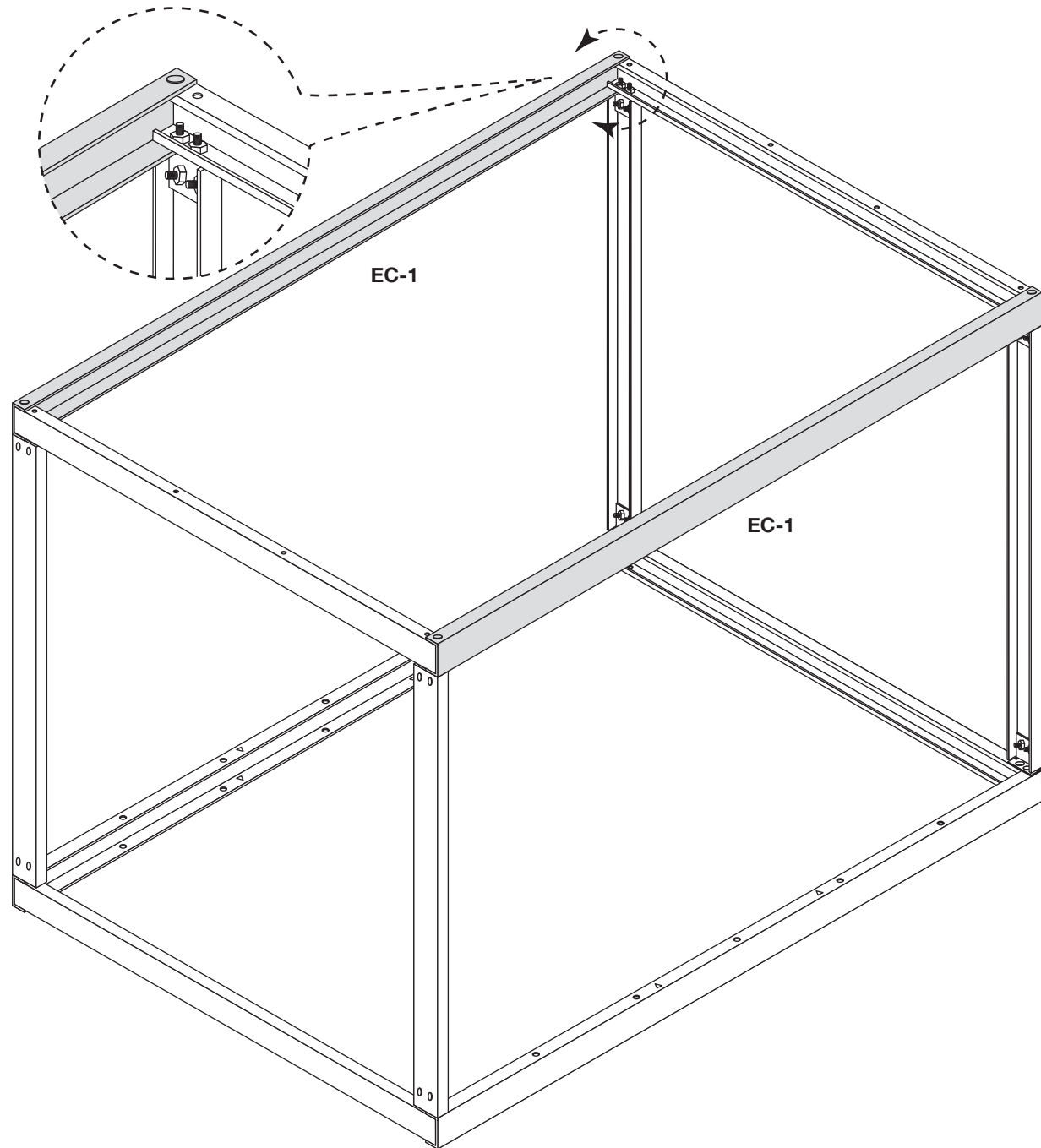
RAFTERS (R-1)

Bolts should remain loose until EC-1 is installed

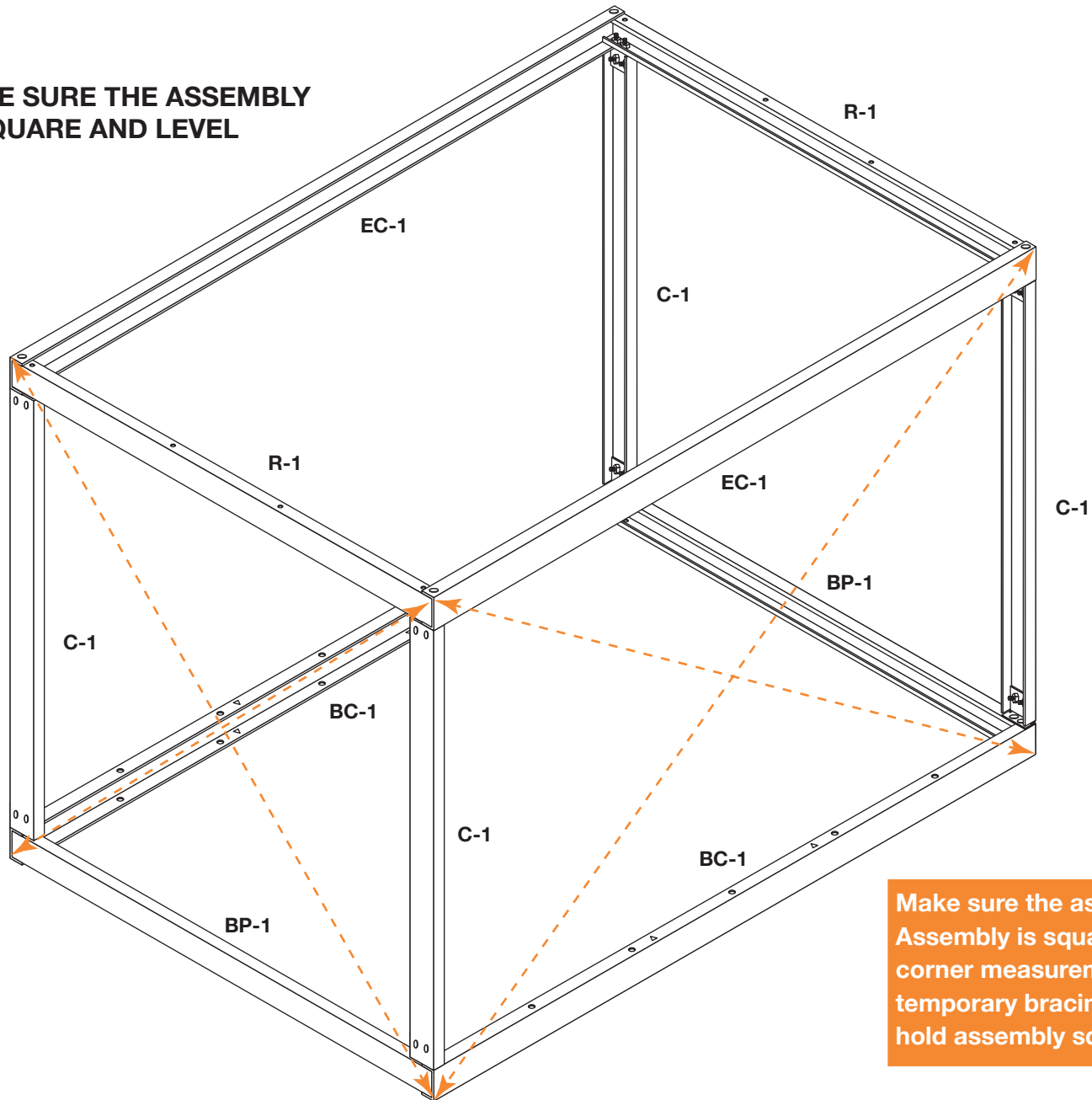


EAVE CHANNEL (EC-1)

Tighten bolts after EC-1 is installed.



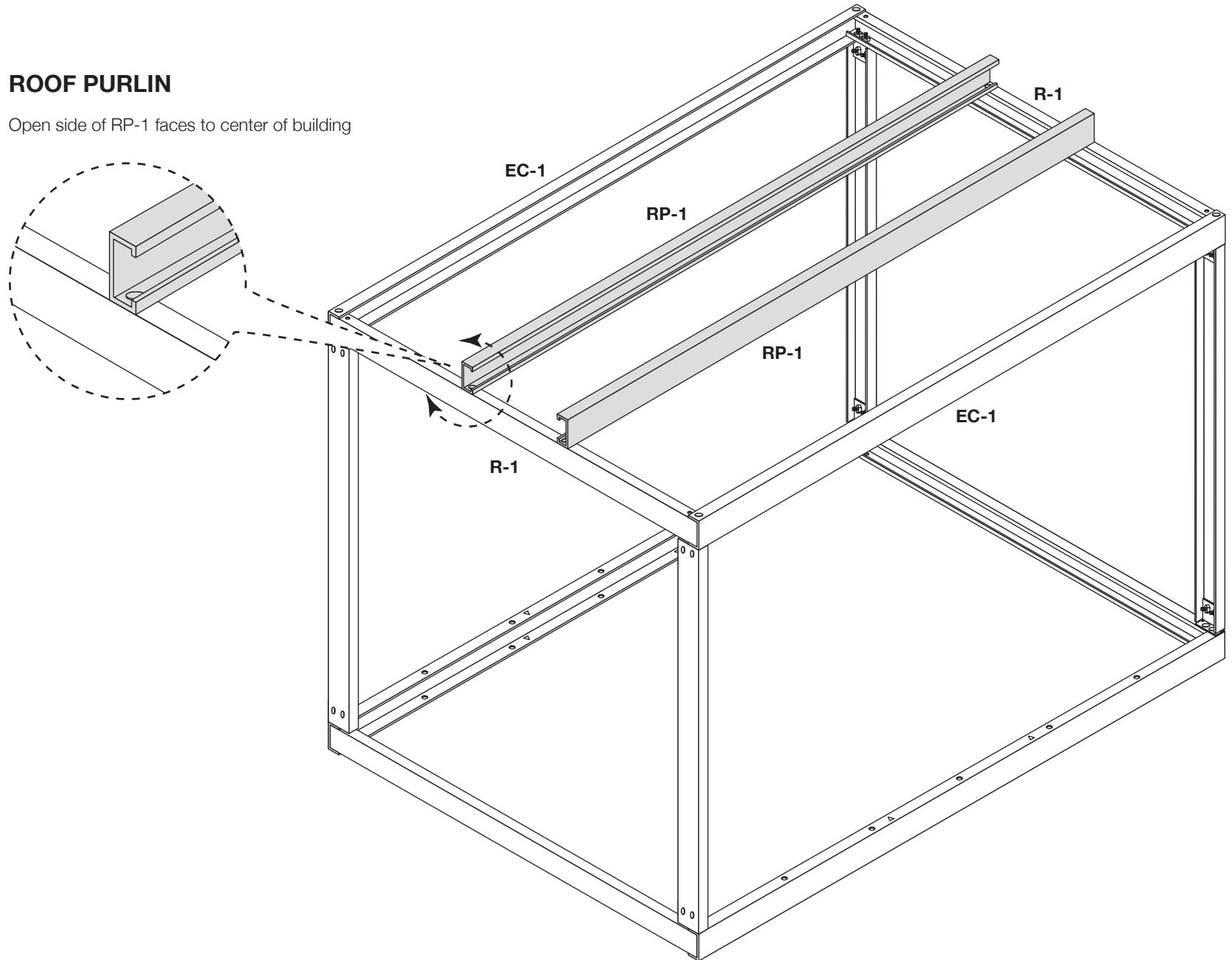
MAKE SURE THE ASSEMBLY IS SQUARE AND LEVEL



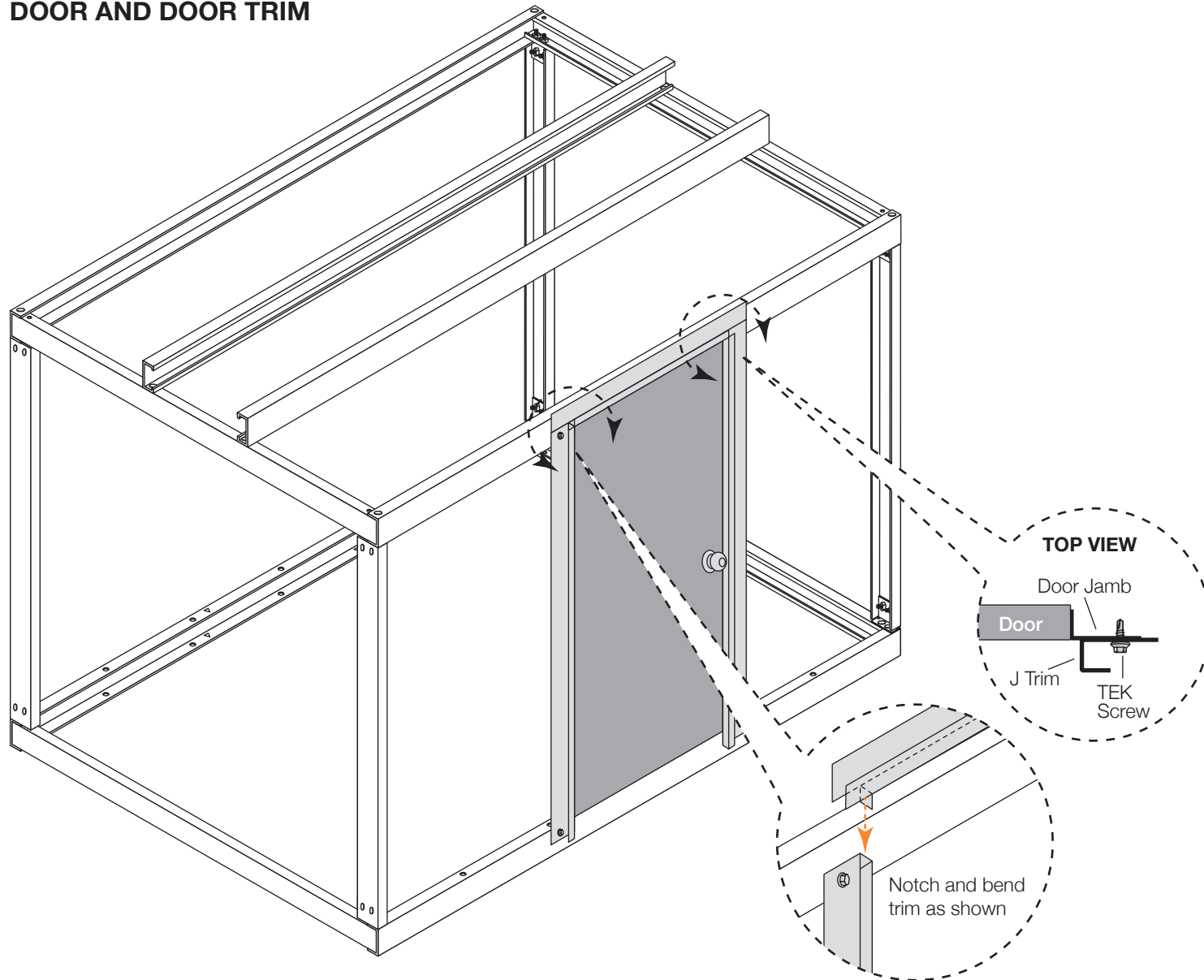
Make sure the assembly is square. Assembly is square when the corner to corner measurements are equal. Use temporary bracing (not included) to hold assembly square if required.

ROOF PURLIN

Open side of RP-1 faces to center of building

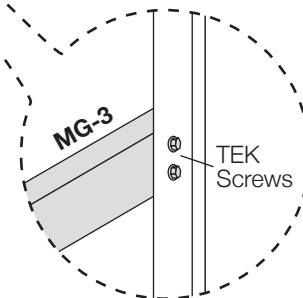
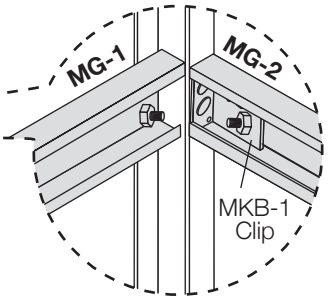
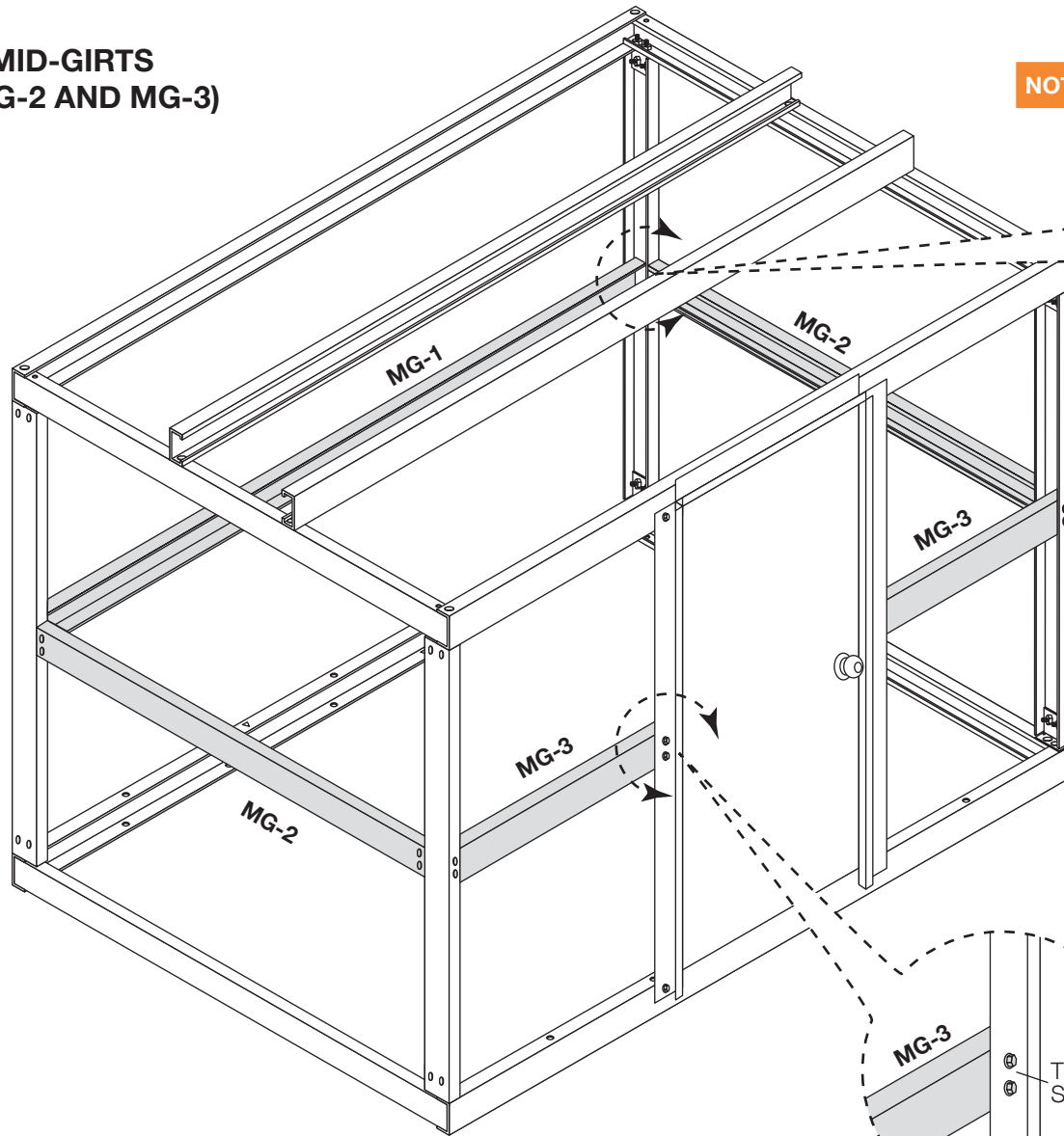


DOOR AND DOOR TRIM



ADDING MID-GIRTS (MG-1, MG-2 AND MG-3)

NOTE: Bolt to inside of column leg

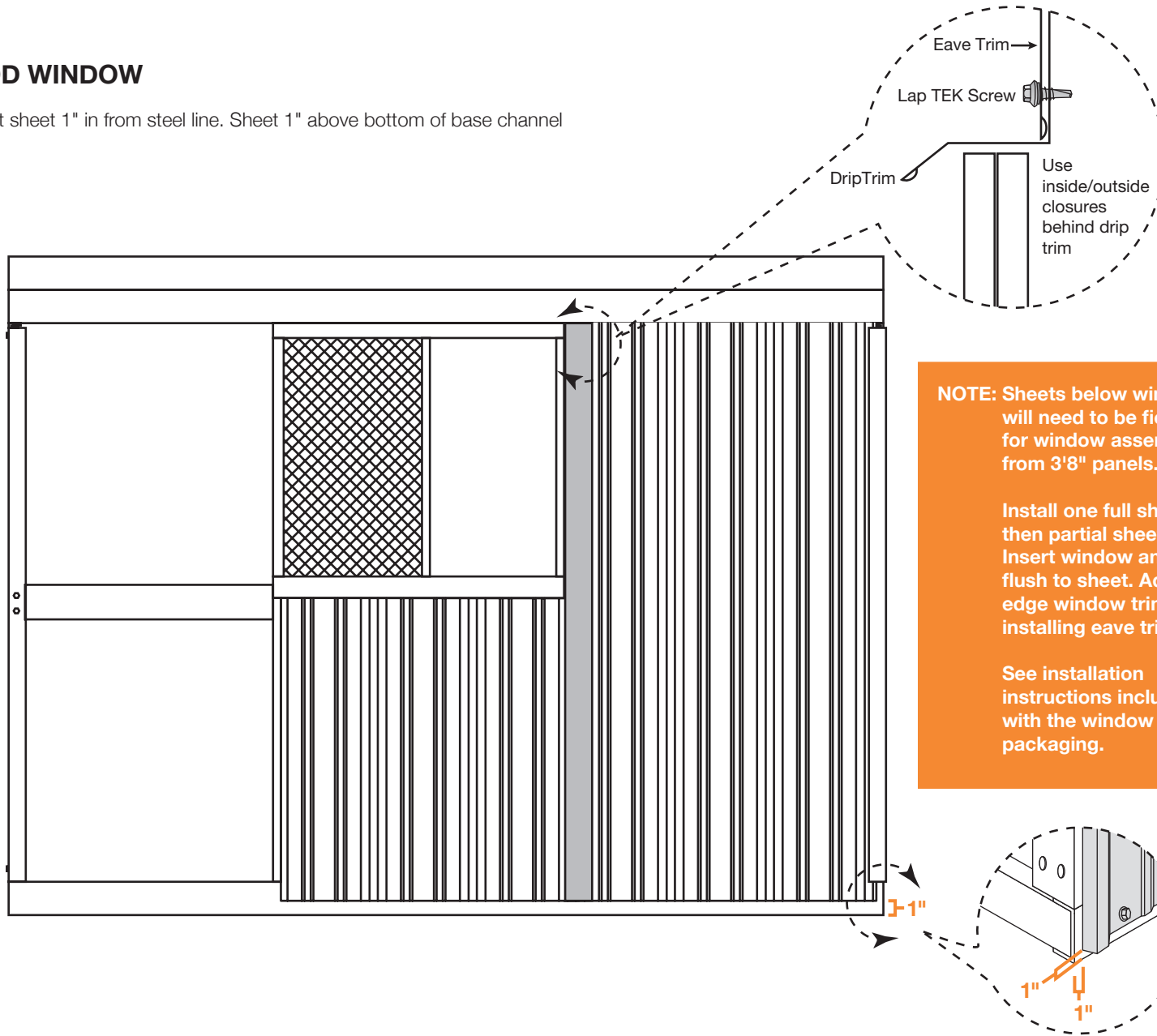


To attach MG-3, use TEK screws to go through door trim, door frame and girt.

NOTE: Add MKB clips to MG-2 prior to connecting to the column.

ADD WINDOW

Start sheet 1" in from steel line. Sheet 1" above bottom of base channel



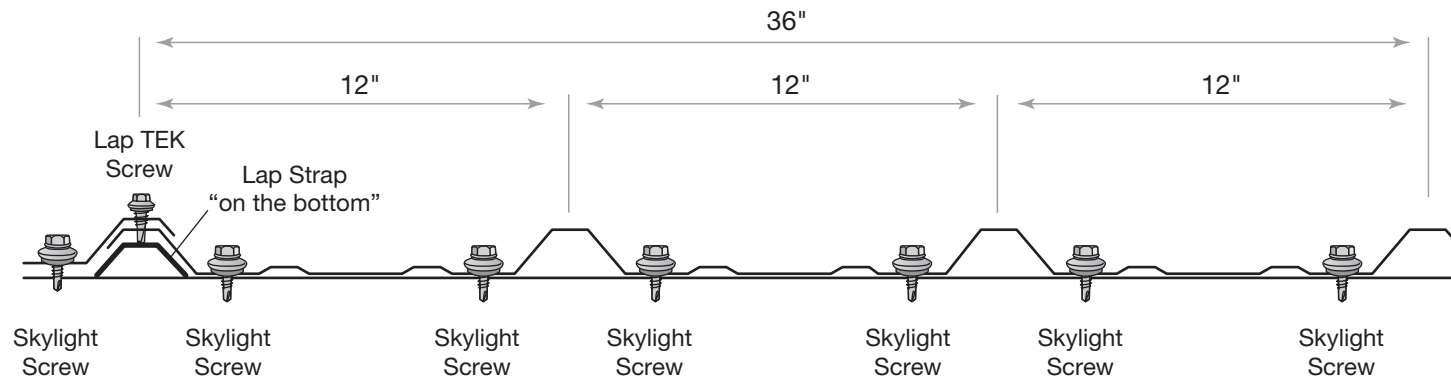
NOTE: Sheets below window will need to be field cut for window assembly from 3'8" panels.

Install one full sheet, then partial sheet. Insert window and flap flush to sheet. Add drip edge window trim when installing eave trim.

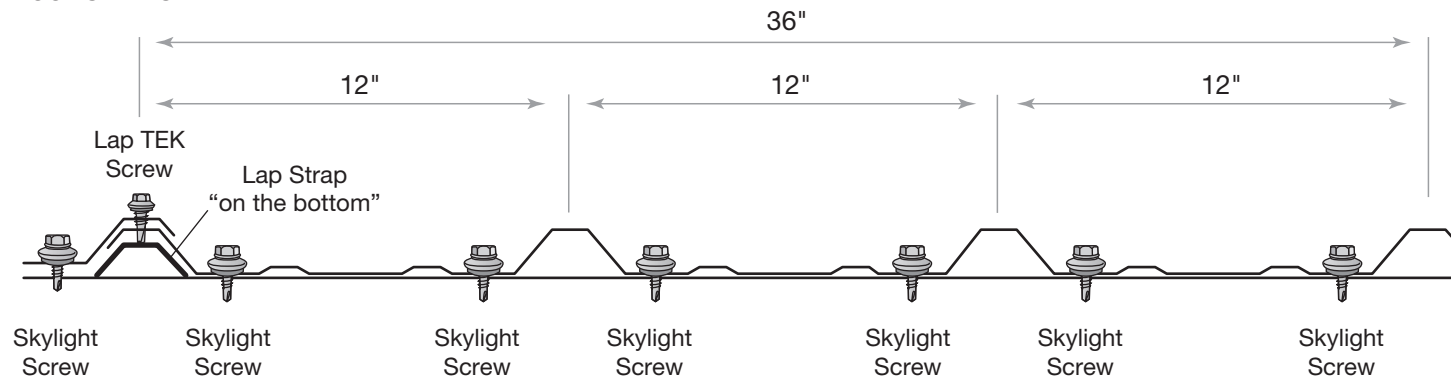
See installation instructions included with the window packaging.

SHEETING SCREW PLACEMENT

WALL SHEETS

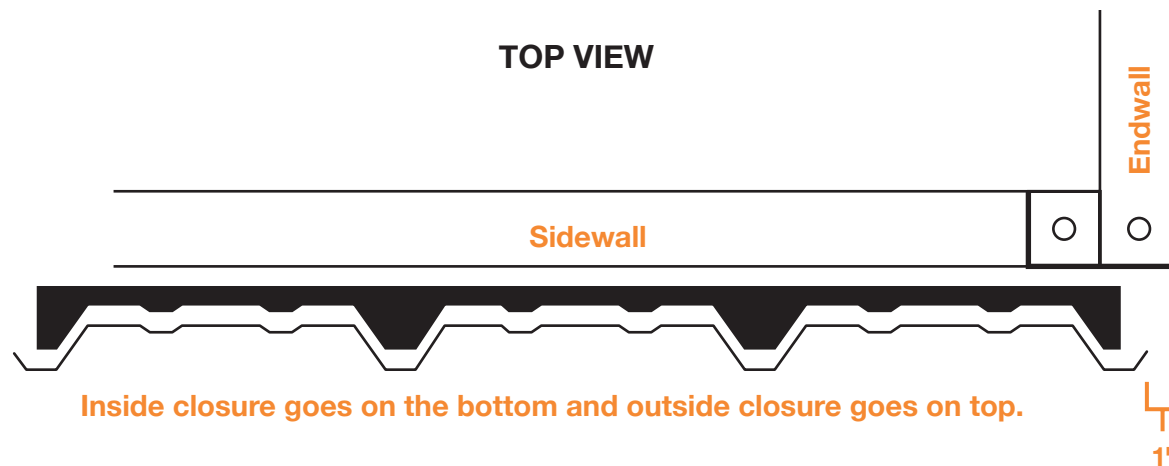


ROOF SHEETS



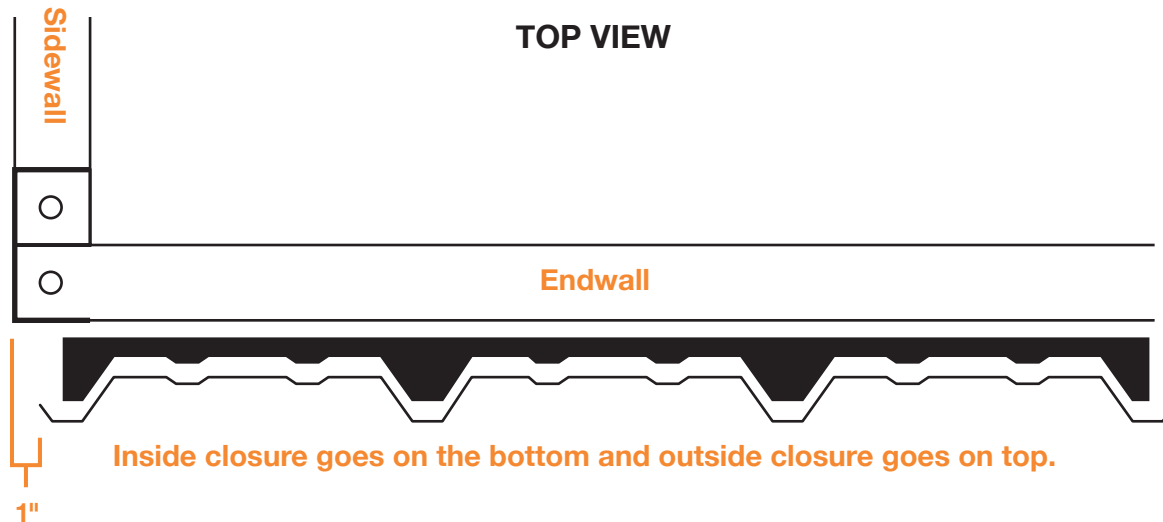
NOTE: Make sure to use TEK screws to attach sheets to purlins, lap TEK screws to attach sheets to sheets.

SHEETING SIDEWALL WITHOUT DOOR



NOTE: Start sheets 1" in from corner channel and start sheet 1" above the bottom of the base channel

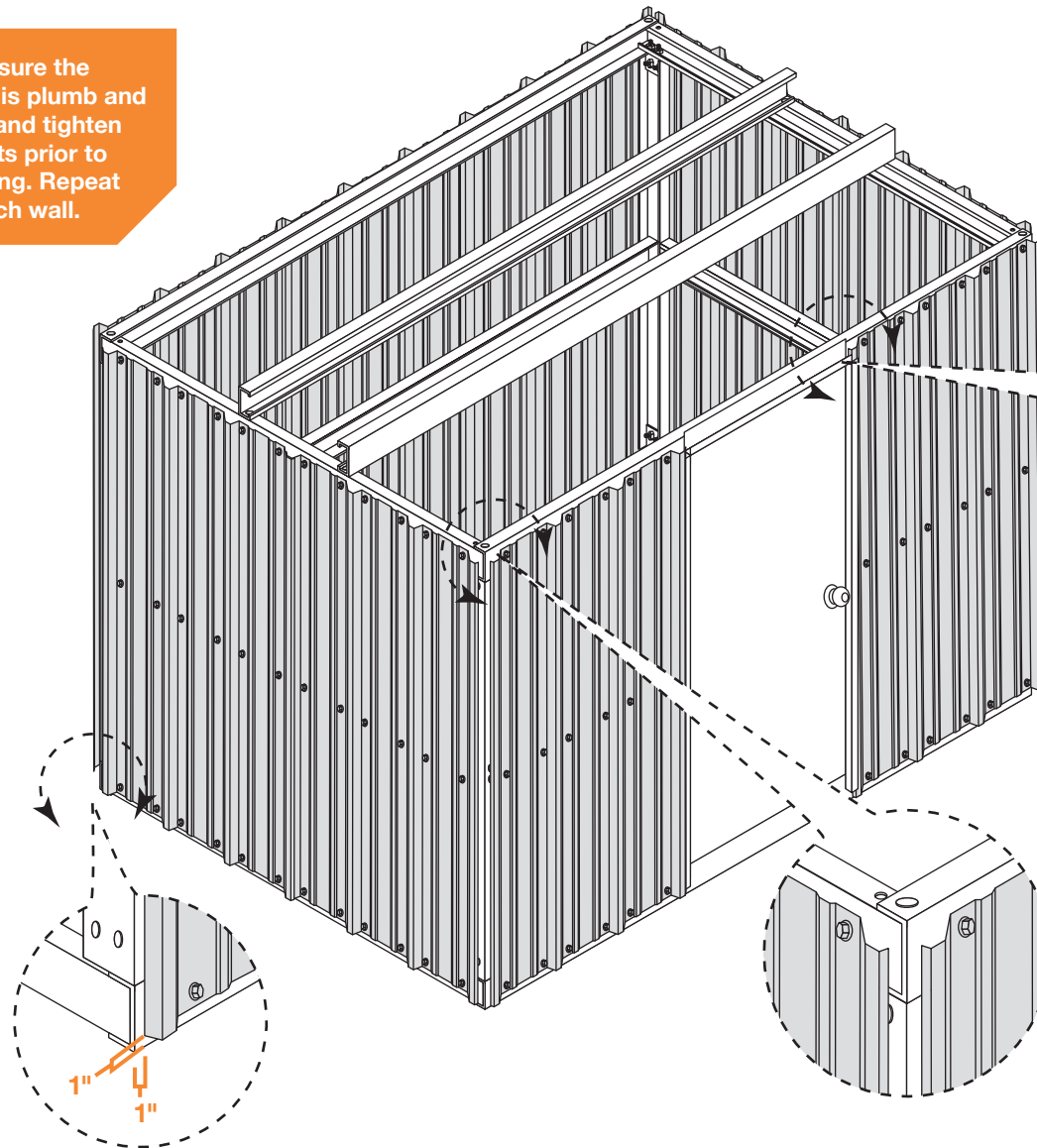
SHEETING SIDEWALL WITHOUT DOOR



NOTE: Start sheets 1" in from corner channel and start sheet 1" above the bottom of the base purlin

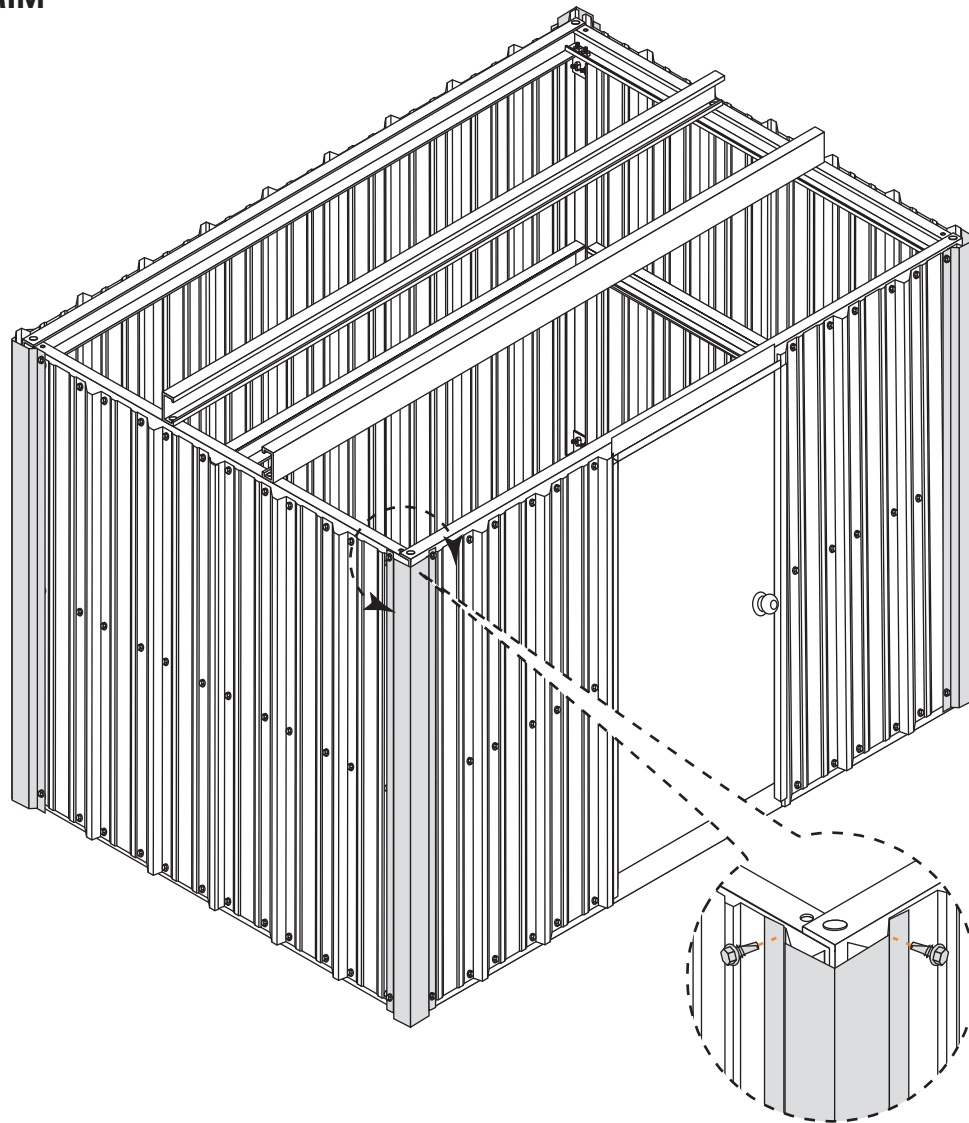
SHEETING

NOTE: Make sure the frame is plumb and level, and tighten all bolts prior to sheeting. Repeat for each wall.



NOTE: For side with door, start sheets flush with J-trim on both sides of the door.

CORNER TRIM

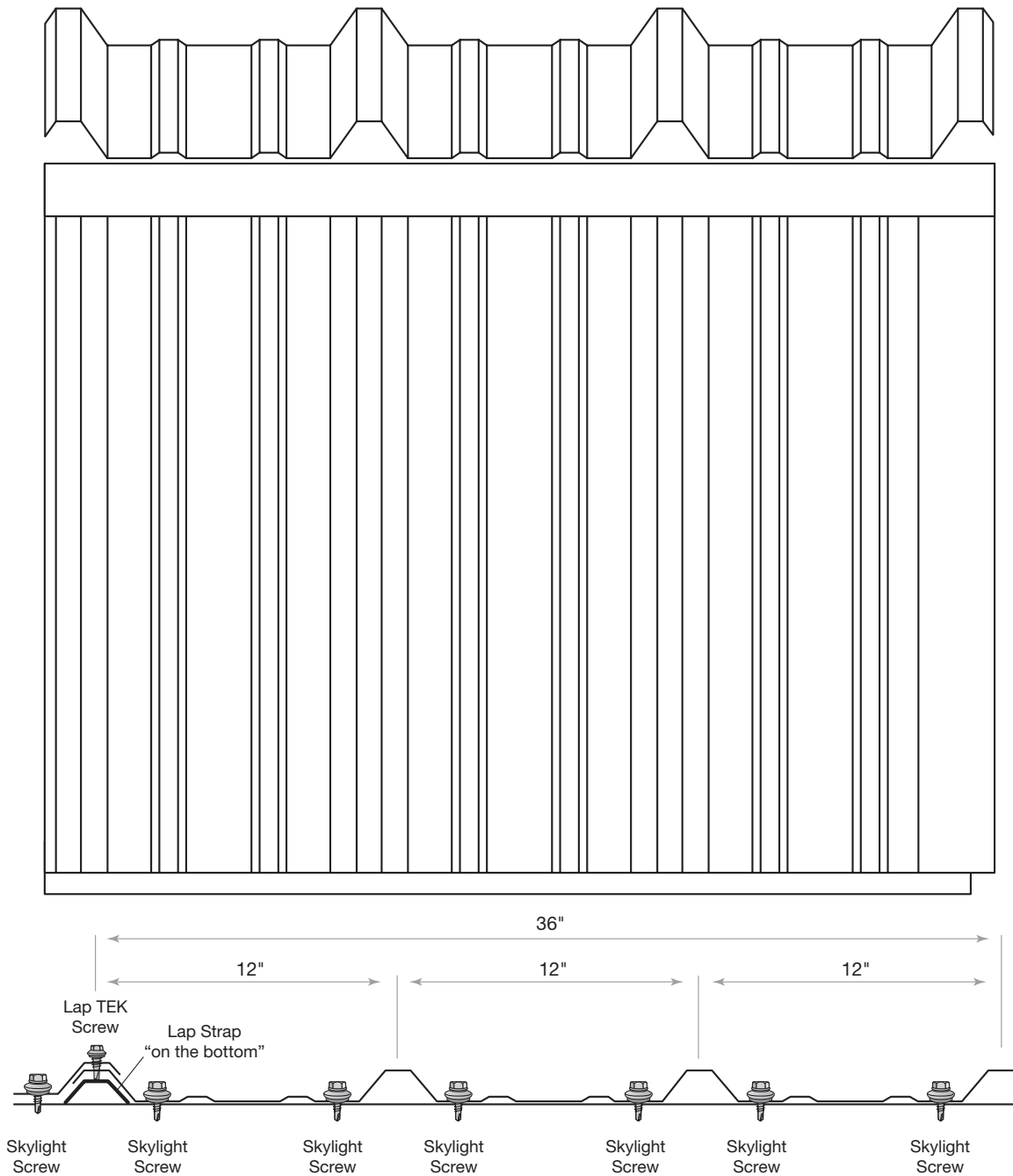


BACK SIDE WALL

Roof to wall sheet alignment

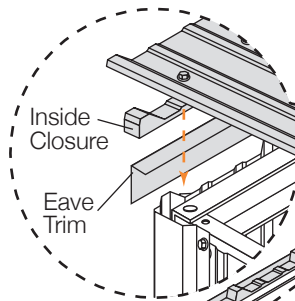
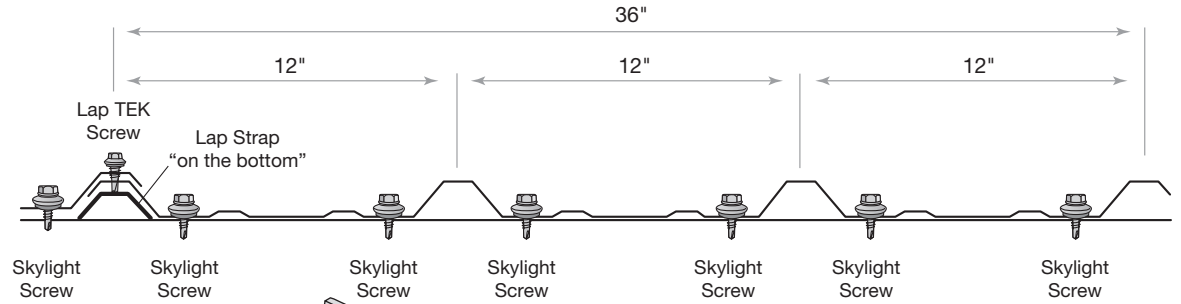
Align major ribs from wall to major rib on roof

NOTE: Make sure panels remain square during installation.



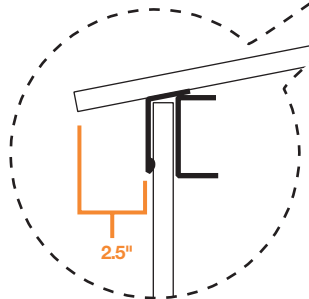
SHEETING THE ROOF

Align roof sheets with wall sheets

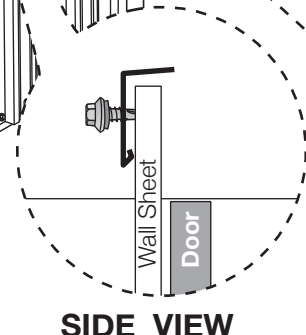
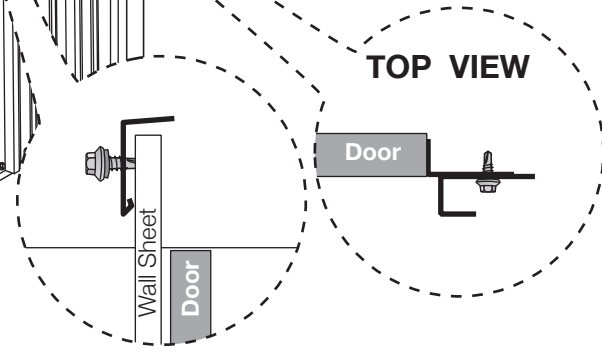
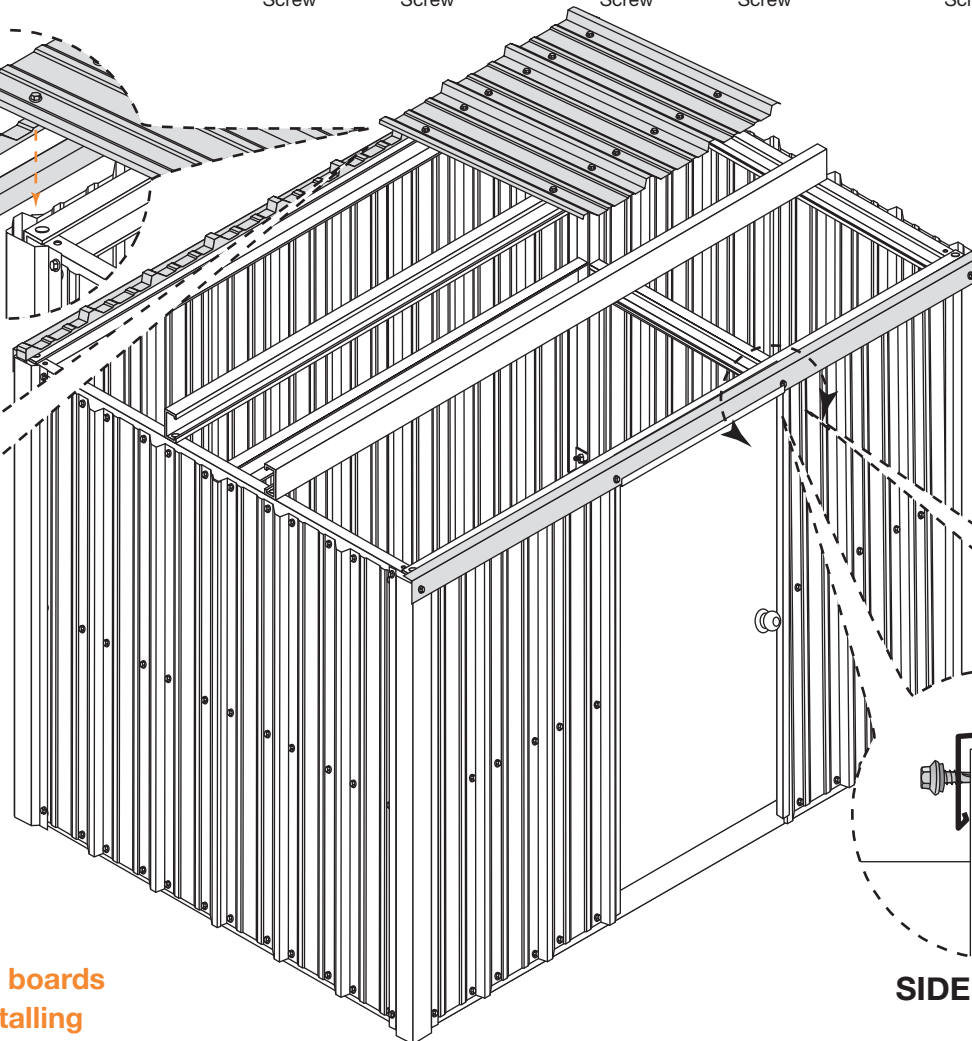


NOTE: Use TEK screws at the purlins

Use Lap TEK screws every 20" vertically



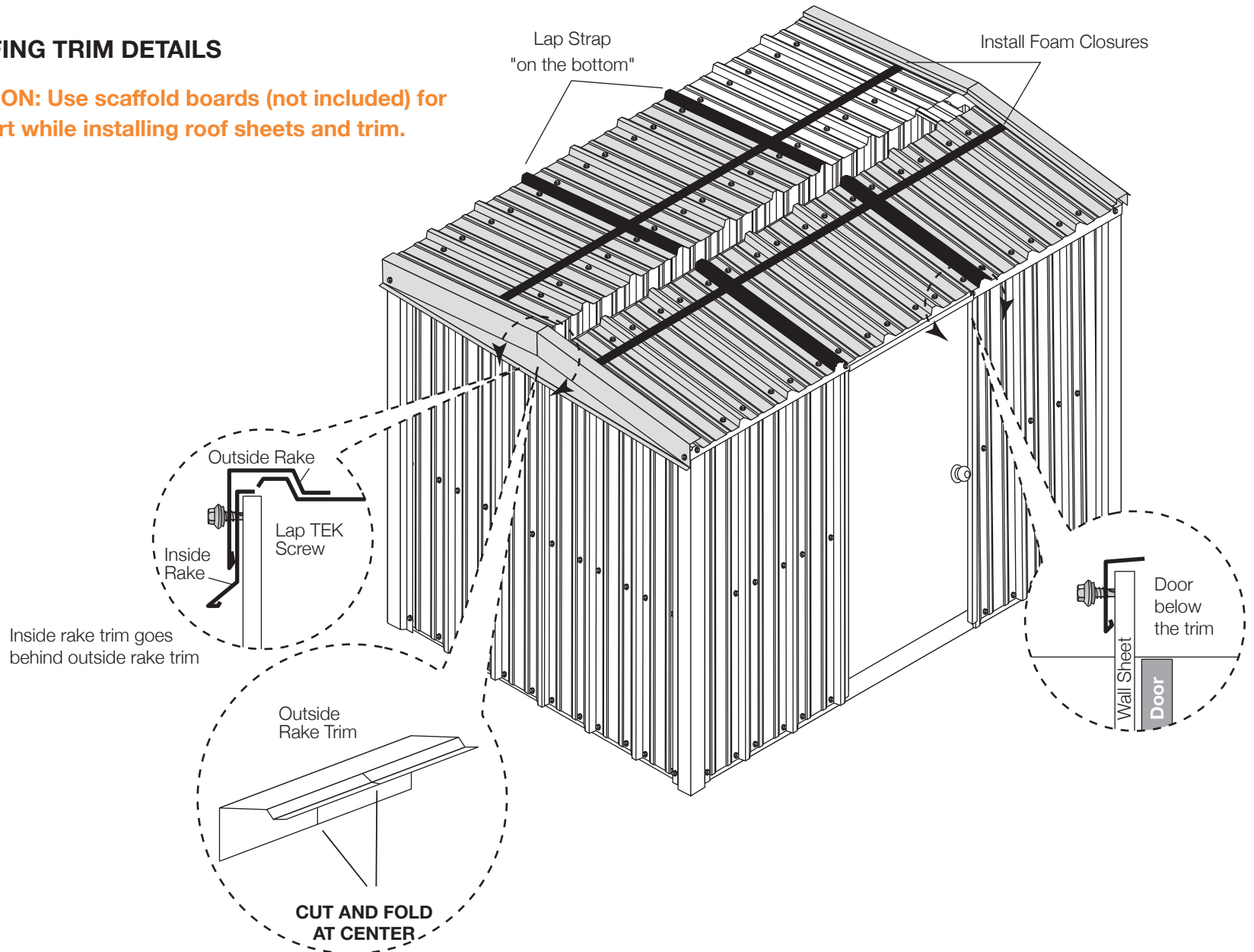
SIDE VIEW



CAUTION: Use scaffold boards (not included) when installing roof panel sheets/trim

ROOFING TRIM DETAILS

CAUTION: Use scaffold boards (not included) for support while installing roof sheets and trim.

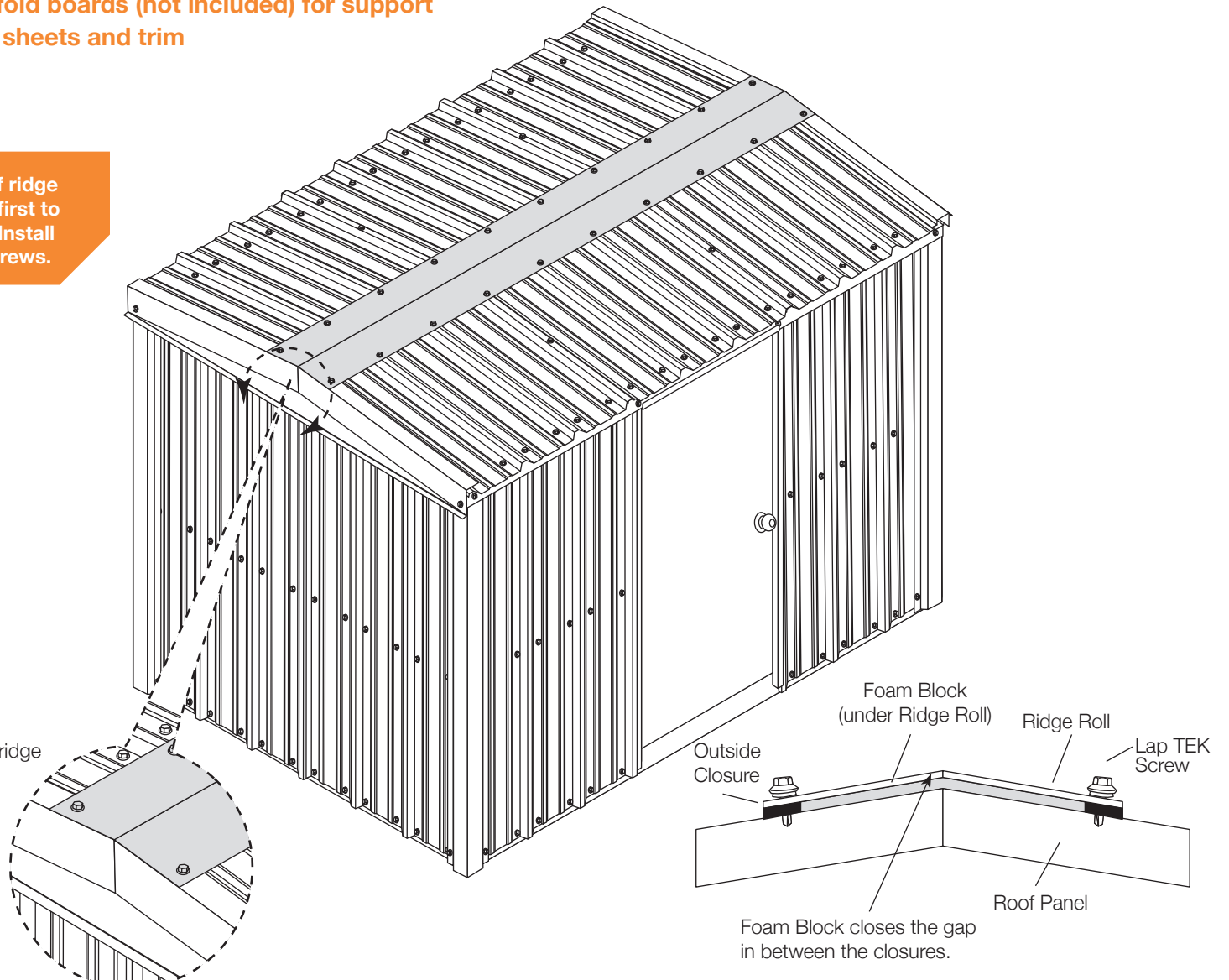


RIDGE ROLL INSTALLATION

CAUTION: Use scaffold boards (not included) for support while installing roof sheets and trim

HINT: Screw corner of ridge roll and middle first to maintain pitch. Install remainder of screws.

Install lap screws on ridge roll every 12 inches



TOTAL BUILDING MEASUREMENTS

