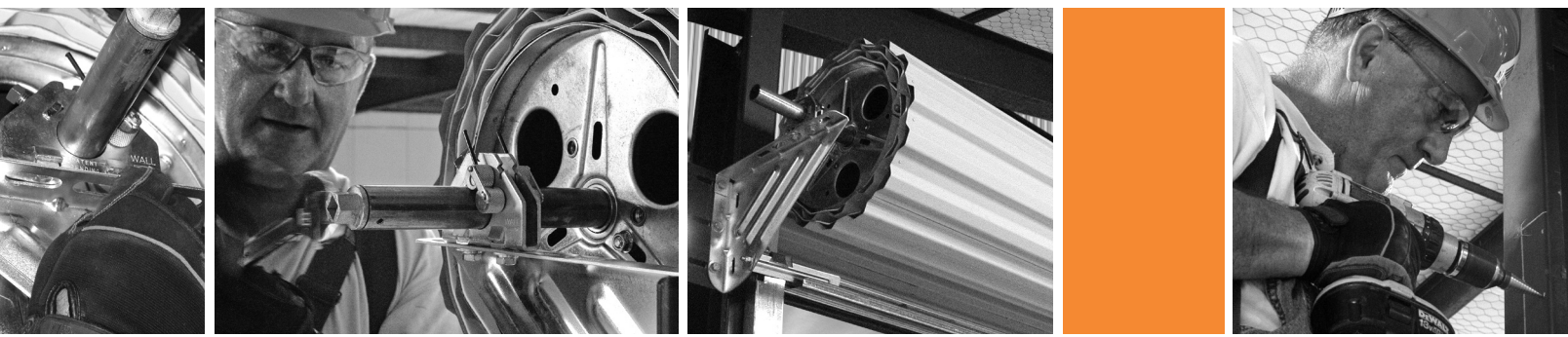




## M250/L250

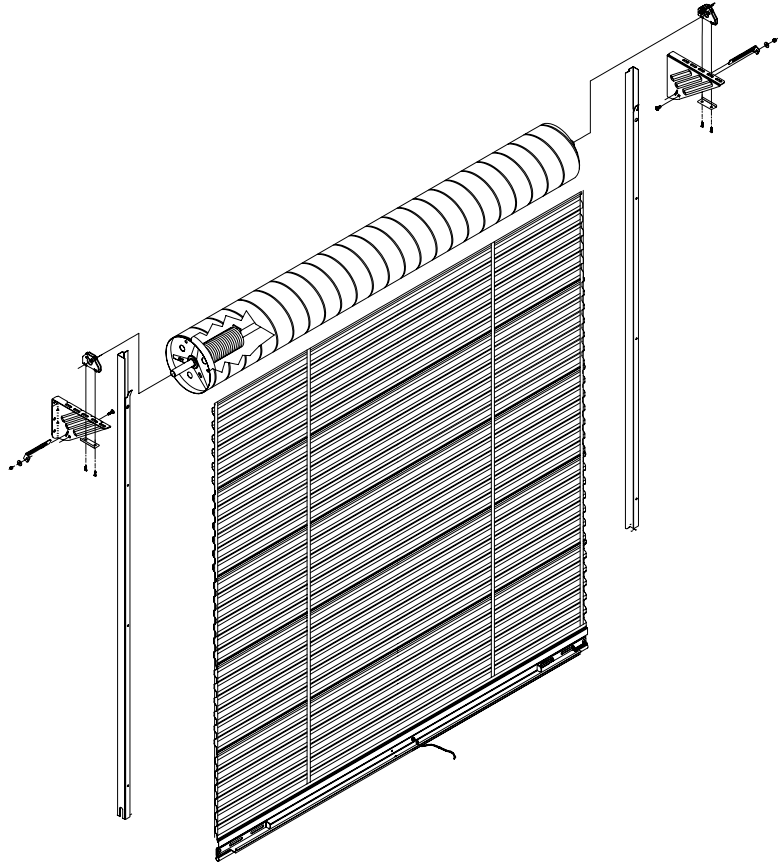


## ROLL-UP DOOR INSTALLATION GUIDE

*For video installation instructions, visit our website at [www.muellerinc.com/downloads/videos](http://www.muellerinc.com/downloads/videos)*

# SAFETY CONSIDERATIONS

See video on:  
[www.muellerinc.com](http://www.muellerinc.com)






**!**  
 DO NOT CUT BANDS  
 OR WRAPPING  
 UNTIL INSTRUCTED.  
**!**

**!** **WARNING**

A rolling door is a large heavy object that moves with the help of springs under extreme tension and electric motors. Moving objects and springs under tension and electric motors can cause serious injuries or death. For your safety and the safety of others, follow these instructions.

**CAUTION** **!**

Use proper lifting equipment and correct lifting procedures to avoid damage or injury.

POTENTIAL HAZARD	EFFECT	PREVENTION
	CAN CAUSE SERIOUS INJURY OR DEATH	DO NOT stand or walk under moving door. Keep door in full view and free of obstructions while operating.  DO NOT allow children to operate the door or door controls.
	CAN CAUSE SERIOUS INJURY OR DEATH	DO NOT stand or walk under moving door. Keep door in full view and free of obstructions while operating.  DO NOT allow children to operate the door or door controls.
	CAN CAUSE SERIOUS INJURY OR DEATH	DO NOT stand or walk under moving door. Keep door in full view and free of obstructions while operating.  DO NOT allow children to operate the door or door controls.

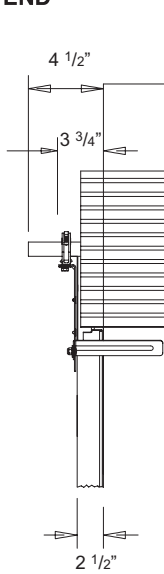
**IMPORTANT NOTE!**

DO NOT cut tape and plastic wrap that holds the door in a roll until you are instructed to do so in step 13B. Mueller Inc. cannot guarantee or accept responsibility for doors that are not installed as directed. Please Read and understand all instructions before beginning the installation process

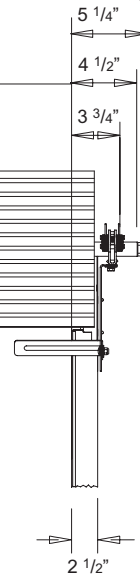
# OPERATION / MEASUREMENTS

	OPERATION	BACK OF GUIDE	OUTSIDE OF BRACKET DUAL TENSION END	OUTSIDE OF BRACKET AXLE SUPPORT	OUTSIDE OF TENSION END	EACH END NON-TENSION
<b>M250</b>	Push-up	2 1/2"	4 1/2"	4 1/2"	5 1/4"	2 1/2"
<b>L250</b>						

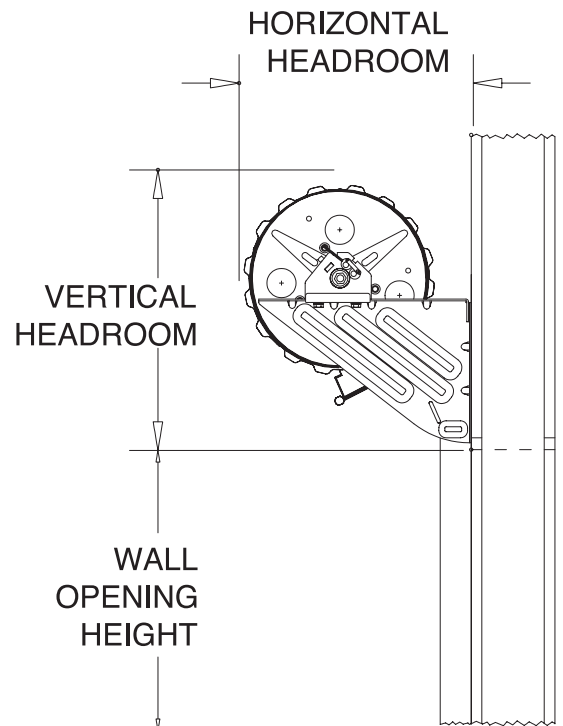
**AXLE SUPPORT END**



**DUAL TENSIONER END**



OPENING HEIGHT	VERTICAL HEADROOM	HORIZONTAL HEADROOM
Less than or equal to 8'	16.5"	17"
Greater than 8'	17.25"	19"



## STEP 1: WALL OPENING

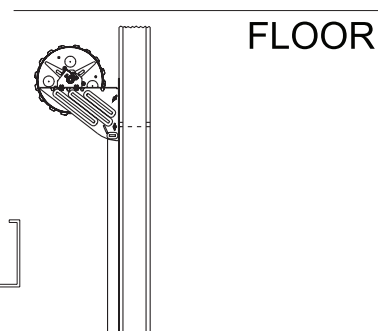
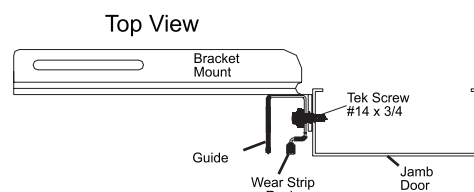
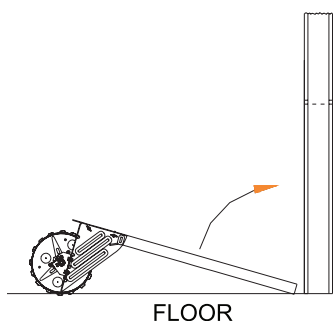
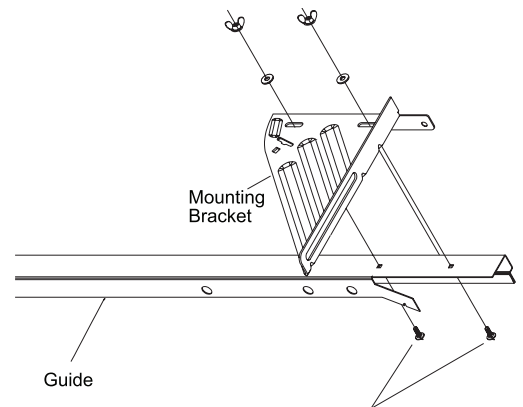
DO NOT CUT BANDS OR WRAPPING UNTIL INSTRUCTED.

- A** Check wall opening width and height and verify these measurements against size of door to be installed.
- B** Verify that jambs are plumb.
- C** Check floor and header for level.
- D** Check for adequate side clearance at jambs and clearance above and at sides of header. See Clearance charts for minimum requirements.
- E** Verify that the guide mounting surface on the jamb is flush.
- F** Make sure all parts required for installation are with the door; see parts list in hardware box.
- G** Required tools
  - a. Tape measure
  - b. 3/8 inch nut setter
  - c. 1/2 inch drive socket set
  - d. Adjustable wrench / pliers
  - e. Leveling device; water or laser level recommended
  - f. Pocket / utility knife

## STEP 2: ATTACHING GUIDES TO MOUNTING BRACKETS

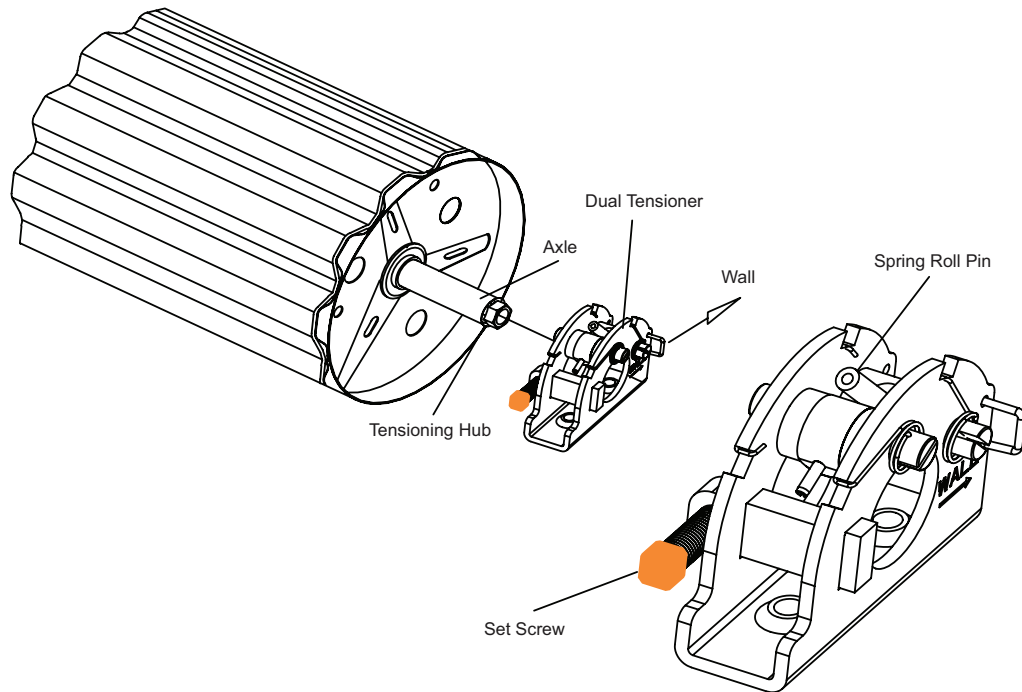
- A** Attach the Guides to the Mounting Bracket with the hardware provided.

*NOTE:* Door will be assembled on the floor & raised into position.



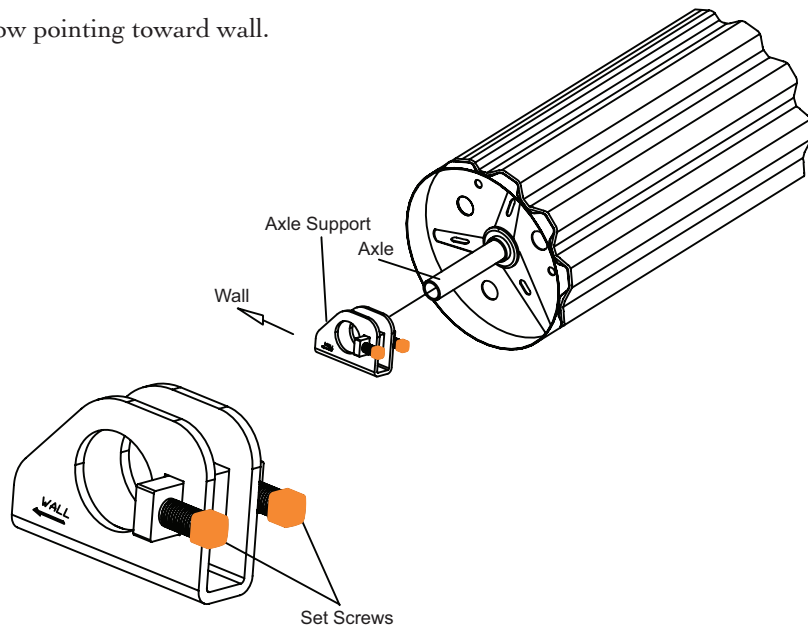
### STEP 3: TENSION END RIGHT SIDE OF DOOR (LOOKING FROM THE INSIDE OUT) IS RECOMMENDED

- A Using dual tensioner assembly's spring roll pin located in knurled wheel, rotate upward in the direction that clears the axle.
- B Slide dual tensioner assembly over axle and tensioning hub, with arrow pointing toward wall. Release spring roll pin.



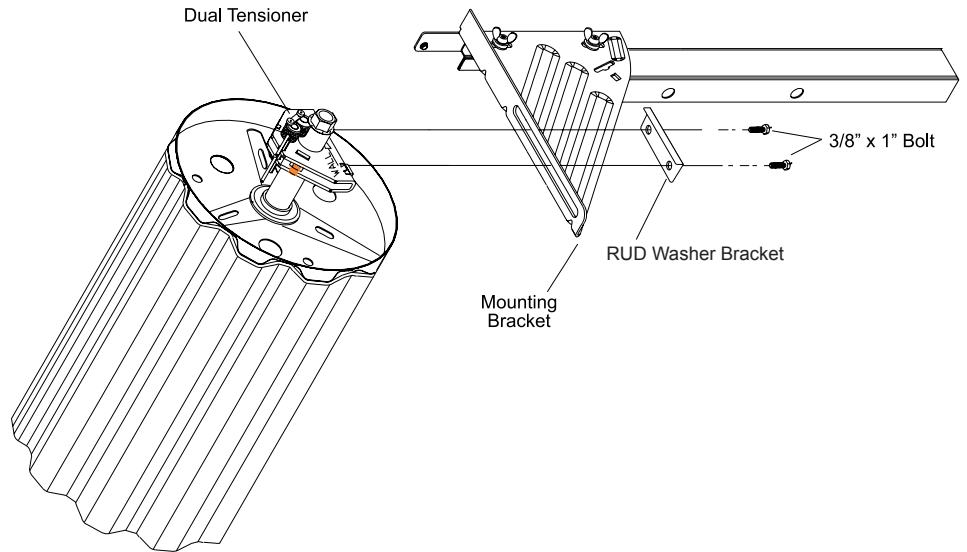
### STEP 4: NON-TENSION END

- A Slide axle support over axle, with arrow pointing toward wall.



## STEP 5: TENSIONER END

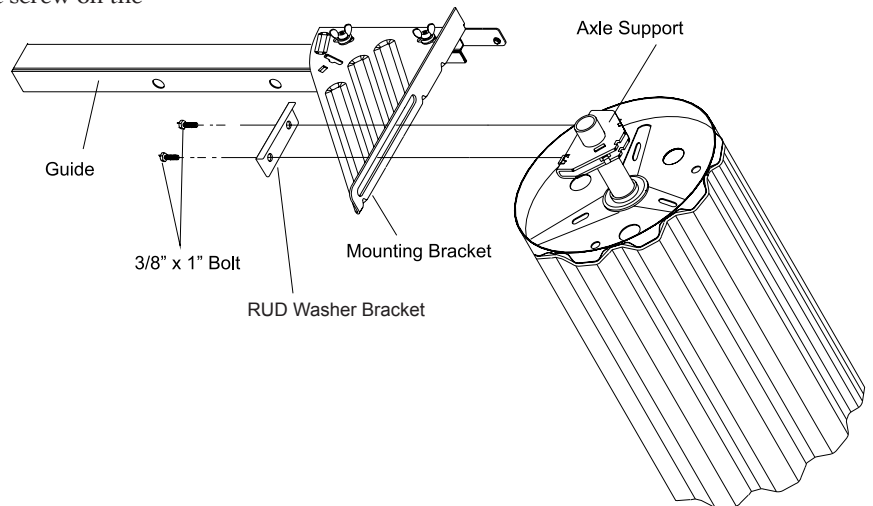
- A** Loosely attach dual tensioner assembly to door mounting bracket flange using the hardware provided.
- B** Tighten the red, square headed,  $\frac{3}{8}$  inch set screw on the tensioner bracket.



FLOOR

## STEP 6: NON-TENSIONER END

- A** Loosely attach axle support to door mounting bracket flange using the hardware provided.
- B** Tighten the red, square headed,  $\frac{3}{8}$  inch set screw on the support bracket.

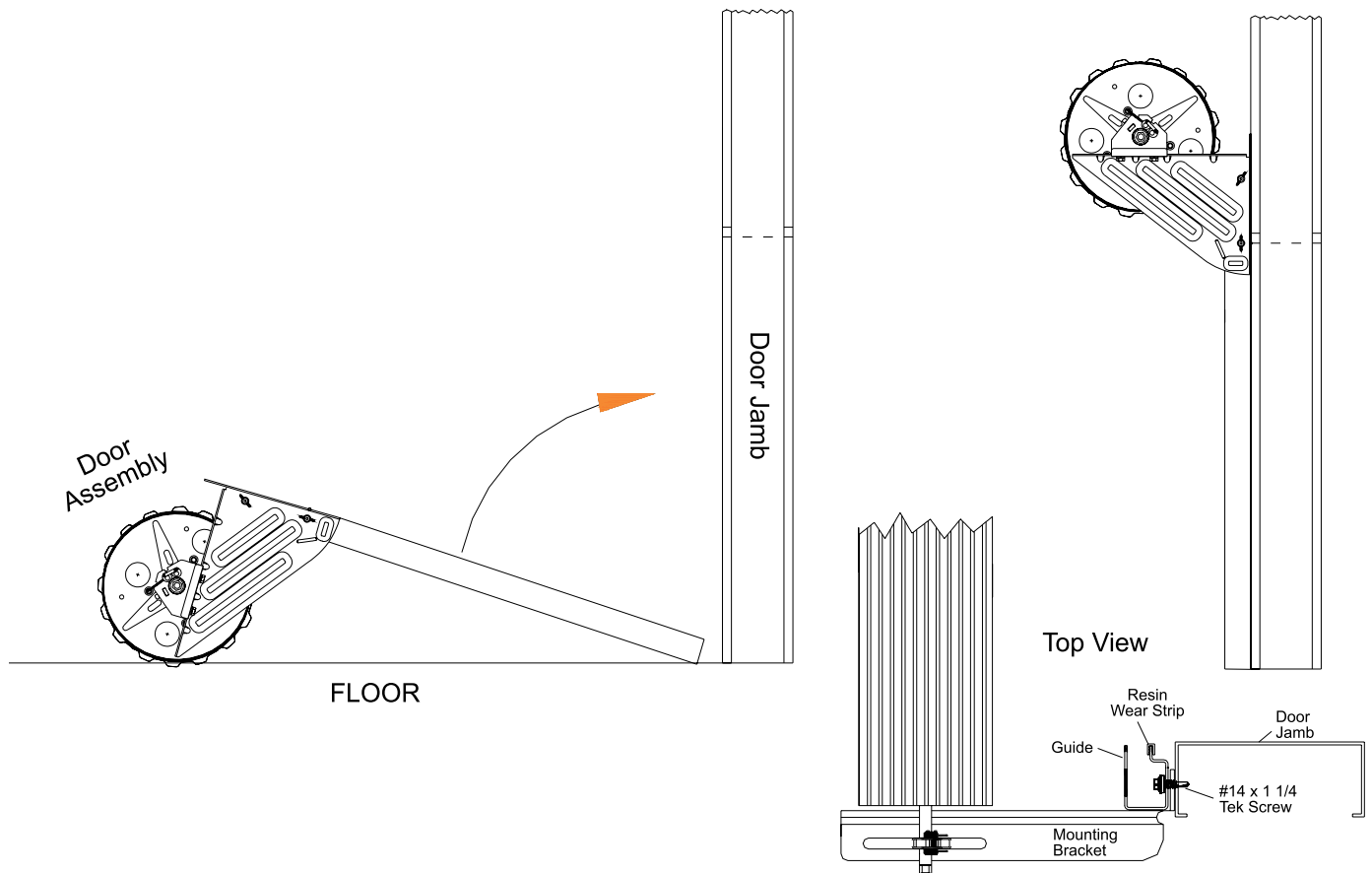


FLOOR

## STEP 7: LIFT DOOR

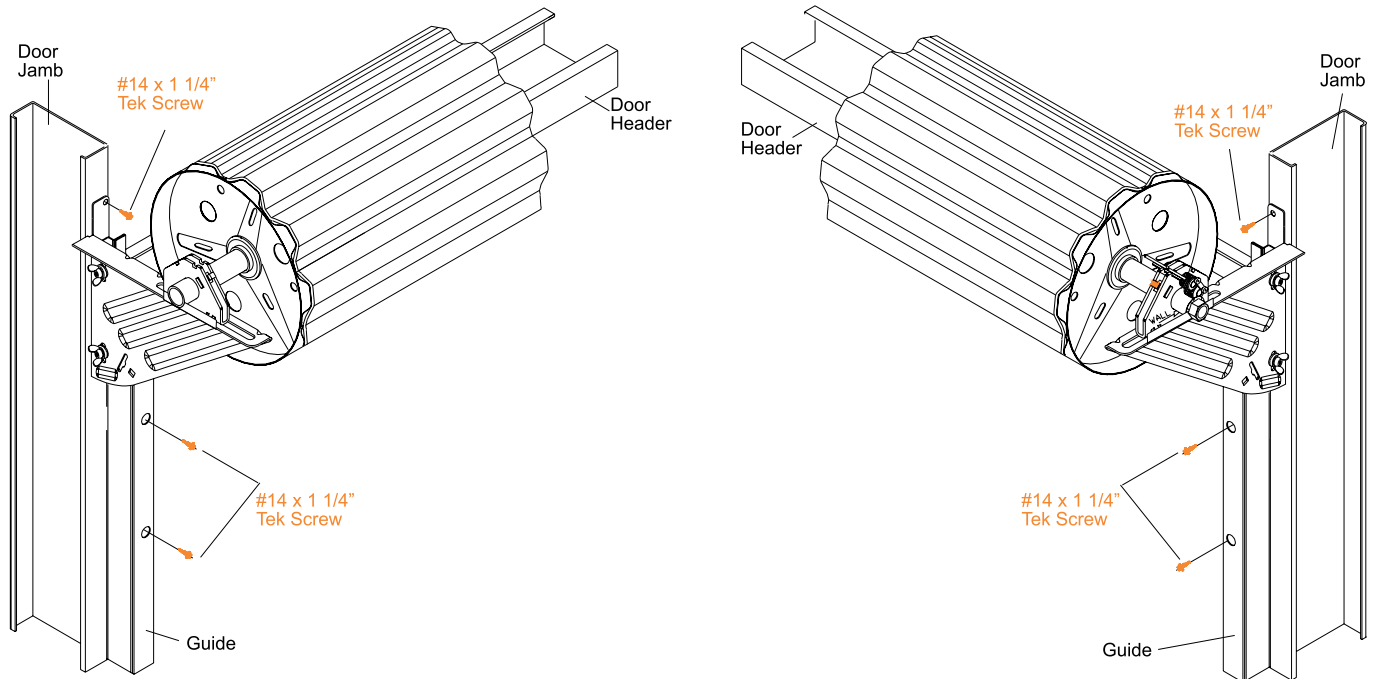
DO NOT CUT BANDS OR WRAPPING.

- A** After the axle support and dual tensioner are attached to mounting bracket, raise the assembly up against the door jambs and attach with the self-drill screw provided.



## STEP 8: ATTACHING GUIDES AND MOUNTING BRACKETS TO STEEL JAMB

**A** Mounting brackets and guides must be attached using fasteners provided.



**B** The opening edge of guides should be inset a very small amount (about 1/8 inch) from the door jamb opening on each side to minimize the potential of hitting the guides when entering through the door opening. Both guides must be plumb and level with each other. *NOTE:* If jambs are installed correctly, the outside to outside measurement of guides should be approximately 1 inch wider than the curtain width.

**C** Once both guides have been correctly positioned, attach them to the jambs using the appropriate fastener at each hole location.

ITEM	JAMB	FASTENERS	DRILL SIZE	PROVIDED FASTENERS
MOUNTING BRACKETS	Steel Concrete/Filled Block Wood	1/4" x 3/4" Carriage Bolt & Wing Nut 1/4" x 1 3/4" Powers Wedge-Bolt 3/8" - 7x3" Lag Screw	None Powers 01316 OPT	Provided Not Provided Not Provided
GUIDES	Steel Concrete/Filled Block Wood	1/4" - 14x1 - 1/4" TEK Screw 1/4" x 1 3/4" Powers Wedge-Bolt 1/4" - 10x1" Lag Screw	None Powers 01314 OPT	Provided Not Provided Not Provided



## STEP 9: ADJUSTING THE DOOR POSITION

- A** Adjust the door height position using the slots on the mounting bracket.
- B** Position door on mounting brackets with dual tensioner and tension axle support resting safely on top of mounting bracket flange.
- C** Door should be positioned as close as possible to the door header and still be able to rotate the door so that the bottom bar will clear the door header.
- D** Each end of door should be equal distance from the header and the curtain must be centered in the opening.
- E** With door still wrapped and banded. Push door assembly as close as possible toward header and still be able to rotate freely. Each end of door should be equal distance from the header and the curtain must be centered in the door opening.
- F** Once door is properly aligned tighten bolts to mounting bracket flange.

## STEP 10: SETTING SPRING INITIAL TENSION

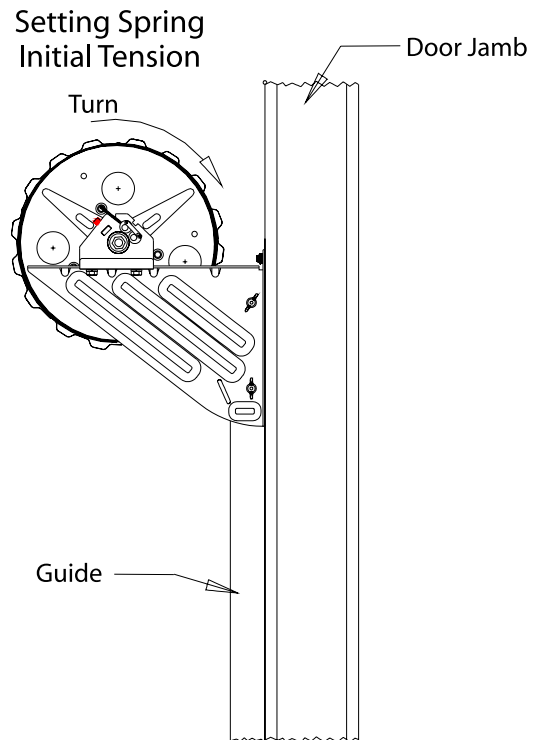
DO NOT CUT BANDS OR WRAPPING UNTIL INSTRUCTED.

- A** Rotate door two revolutions, rotating the top of the door towards the opening.

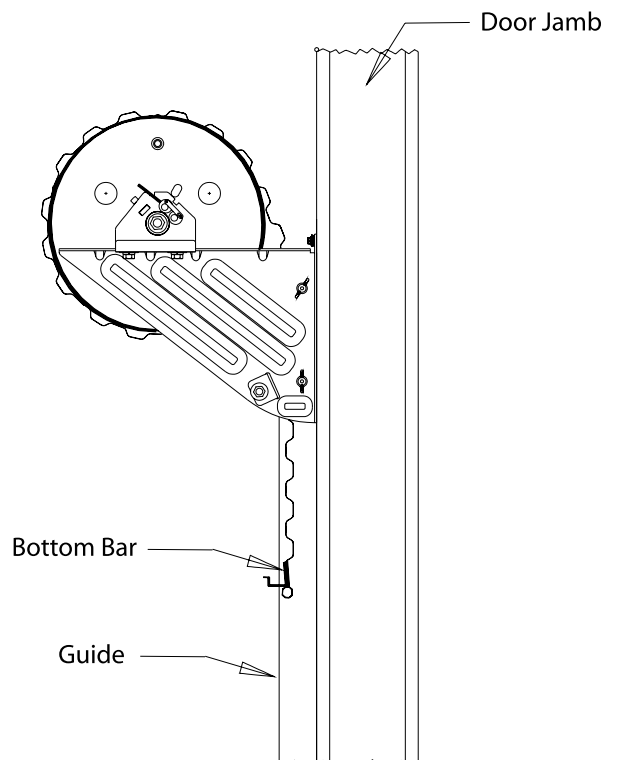
*NOTE:* If your building design does not allow for door rotation, lower the door curtain into the guides and follow the instructions in Step 13 to set door tension.



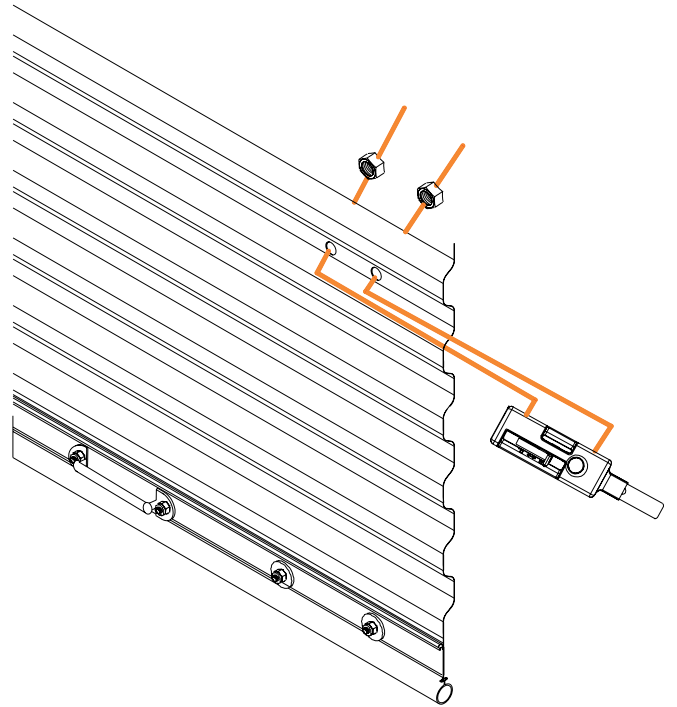
**WARNING DOOR IS UNDER EXTREME TENSION!**



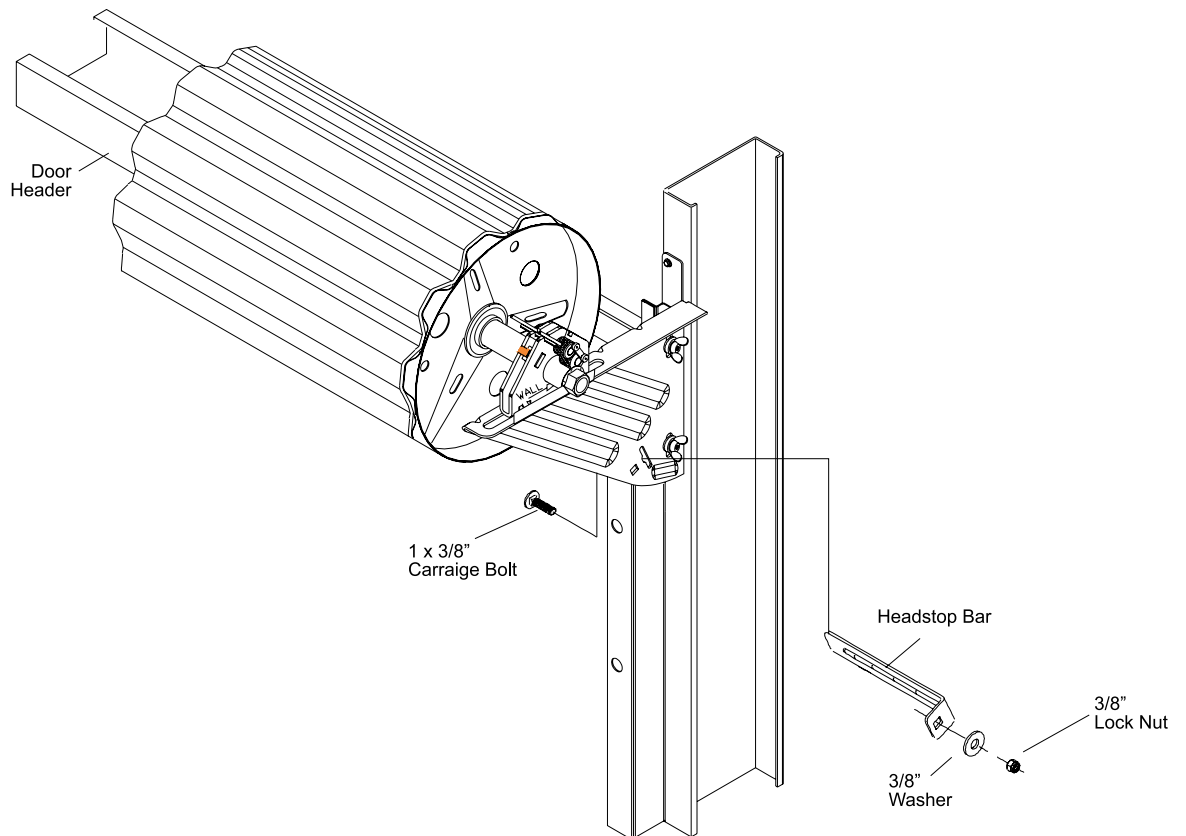
- B** While firmly holding the door, at the bottom bar is recommended, cut the tape and plastic wrap that holds the door in a coil ~ **exercise extreme caution; door is now under spring tension and is dangerous.**
- C** Direct the bottom of door curtain down into the entry of the guides and bring the door curtain all the way to the ground. Secure the door in the closed position with the slide locks on the bottom bar.



- D** Install the Slide Lock with hardware provided.  
Optional on L250. Standard on M250.

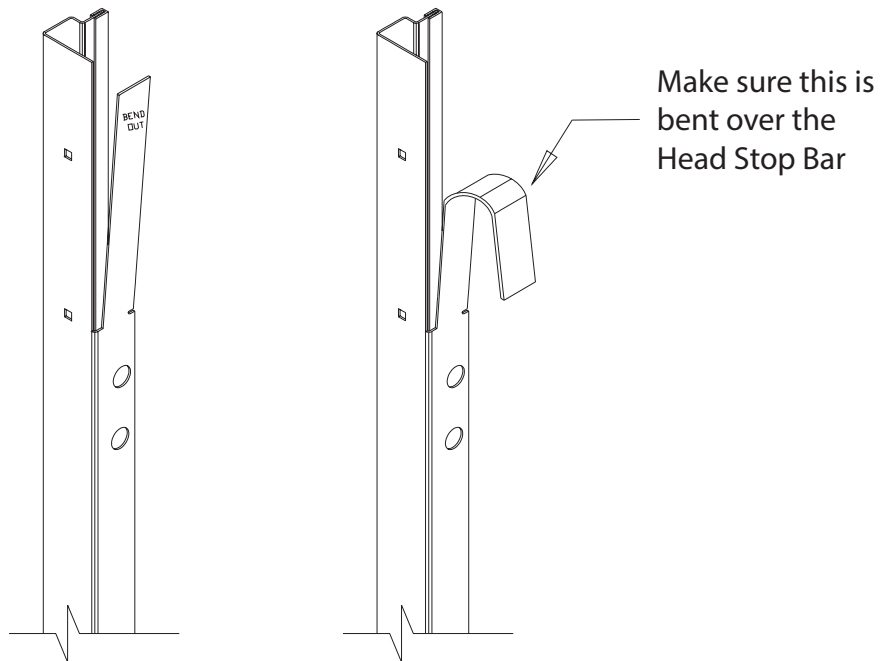


- E** Slide head stop from outside to inside of each mounting bracket.
- F** Secure each head stop in the mounting brackets with the hardware provided.



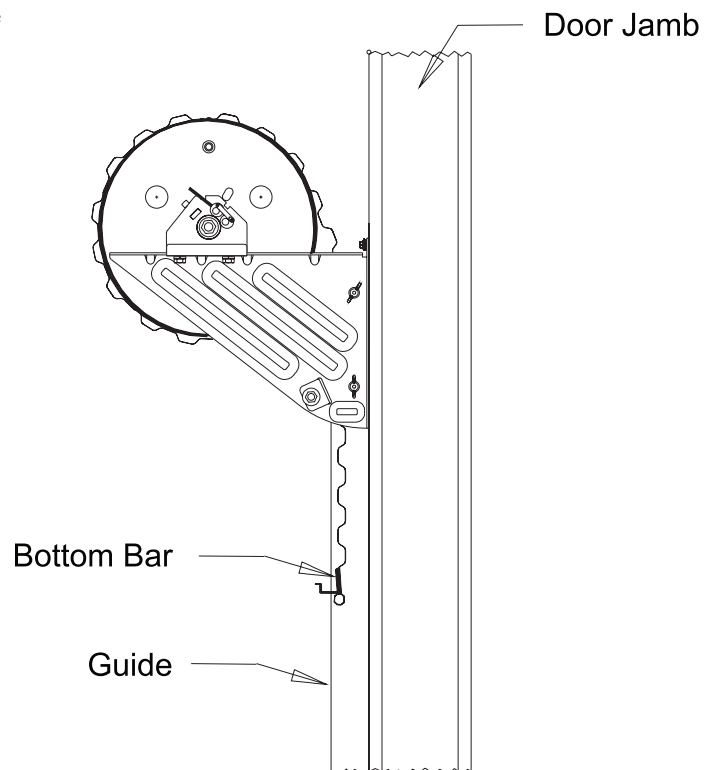
## STEP 11: MAKE SURE THE TOP OF GUIDE IS BENT

- A** If this is not bent; bend over head stop with  
Vise grips or an adjustable wrench.



## STEP 12: CHECK DOOR OPERATION

- A** Once both head stops are securely installed and the top of the guide is bent over the head stop bar, unlock slide locks on the bottom bar and check door operation by lowering and raising the door.



## STEP 13: ADJUST SPRING TENSION

DOOR MUST BE IN FULLY OPEN POSITION TO ADJUST SPRING.

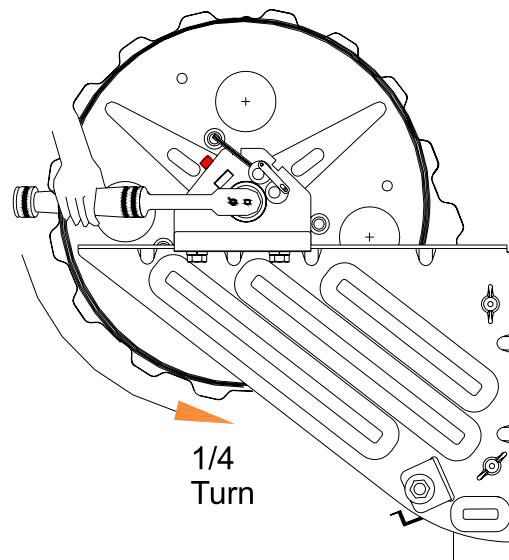
- A** Open door fully with the bottom bar resting against the head stops.
- B** At dual tensioner end, place  $\frac{1}{2}$  inch ratchet into tensioning hub and hold the ratchet firmly. Have someone else loosen the square red headed  $\frac{3}{8}$  inch set screws on the dual tensioner and mounting bracket.
- C** To increase spring tension, pull down on ratchet  $\frac{1}{4}$  turn. The dual tensioner will automatically grip the axle and help hold the new tension setting. Have someone else tighten all square red headed  $\frac{3}{8}$  inch set screws in dual tensioner and axle support bracket at both ends of the door.



LOSS OF SPRING TENSION WILL CAUSE DOOR CURTAIN TO DROP RAPIDLY.

Increase  
Spring  
Tension

If Door is hard to open and closes too fast



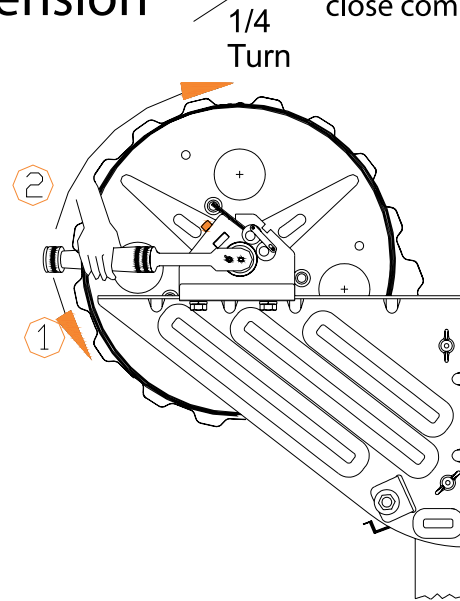
**D** To decrease spring tension, momentarily pull down on ratchet and then lift the spring roll pin on the dual tensioner's knurled wheel. Gently let up on the ratchet, allowing the axle to rotate  $\frac{1}{4}$  turn to reduce the tension. While holding the new tension, release the dual tensioner's spring roll pin. The dual tensioner will now grip the axle and help hold the new tension setting. Have someone else tighten all square red headed  $\frac{3}{8}$  inch set screws in dual tensioner and axle support bracket at both ends of the door.

**E** Verify that all square, red headed  $\frac{3}{8}$  inch set screws in dual tensioner and axle support bracket at both ends of door are tightened prior to checking door operation.

**F** Repeat steps 15A through 15E as necessary.

## Decrease Spring Tension

If Door goes up too fast; and closes too slow or fails to close completely



## STEP 14: DOOR MAINTENANCE

**A** Springs may need to be periodically adjusted through the life of the door in accordance with steps 16 A thru F. Maintain instructions for the life of the door.

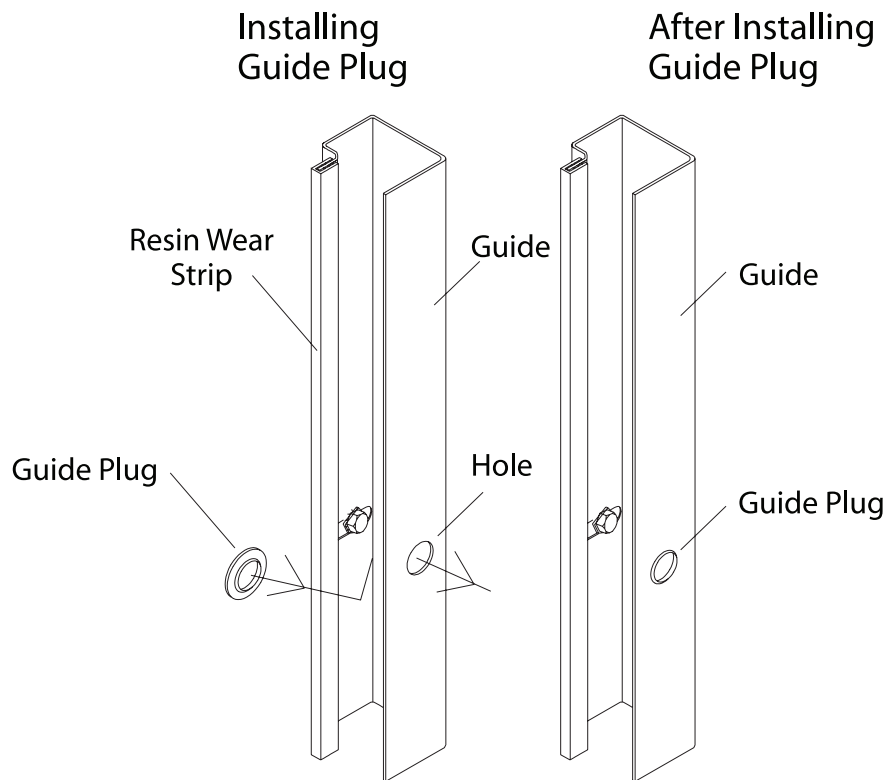
**B** Check all bolts and nuts, to ensure they are tight as needed.

## STEP 15: REMOVE STRIPABLE FILM

**A** If the door has Stripable Film, remove now.

## STEP 16: ADD PLUGS

- A** Insert the plugs provided as shown. The plugs must be inserted from the inside of the guide. If installed from the outside, the curtain will hang on the guide plugs.



# M250/L250

## INSTALLATION GUIDE



### CALL

**877-2-MUELLER**

This toll-free number connects you to the branch nearest you.  
We have more than 30 locations across the southwest.

### CLICK

**WWW.MUELLERINC.COM**

Our website offers photos and details on all of our metal products.

### COME BY

Our branches are staffed with experts who are always happy to answer any questions you have.

