

12' x 24' Loafing Shed Instructions

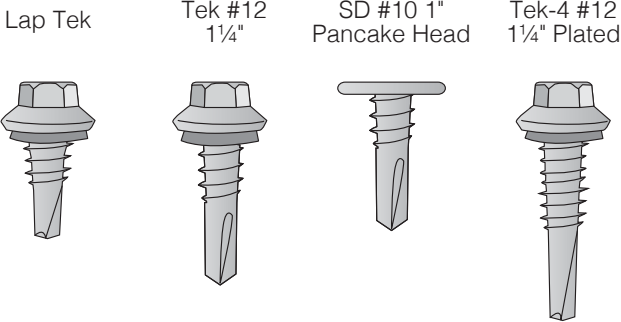
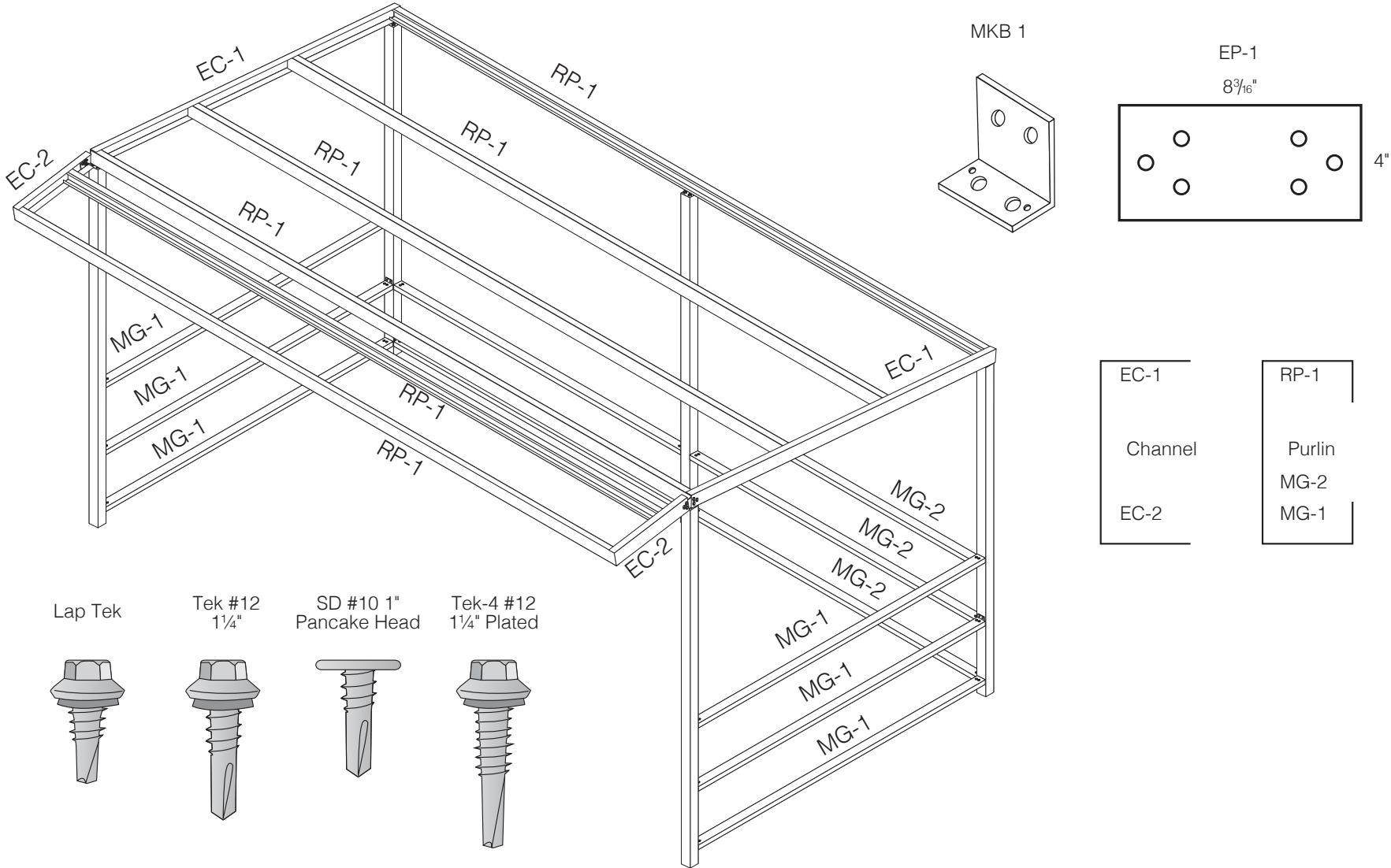
Mueller Backyard Building Kits are not engineered structures and do not meet any specific building code criteria.

877-2- MUELLER • www.muellerinc.com



PARTS LIST

Refer to the parts list on the itemized invoice delivered with your building.



EC-1	RP-1
Channel	Purlin
EC-2	MG-2
	MG-1

LAY OUT AND DIG HOLES FOR LOAFING SHED

1. Determine the back corners of your Loafing shed and hammer in stakes 12' center to center. The front corners will be 12' from the back. See diagram below for details on squaring the building.
2. Mark the location of the corner posts using the marker/spray paint.
3. Dig the back post holes at marked locations 8" – 12" in diameter and 39" deep.
4. Dig the front post holes at marked locations 8" – 12" in diameter and 27" deep.

NOTE: For sloping conditions, hole depths may vary.

8" – 12" wide

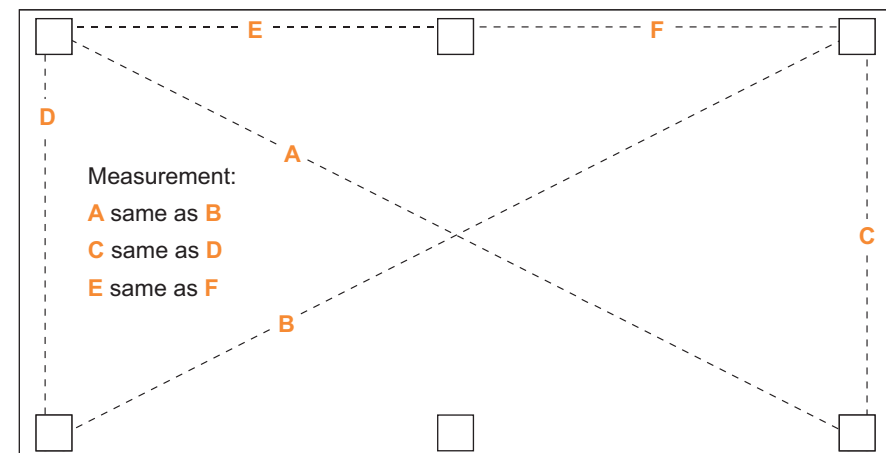
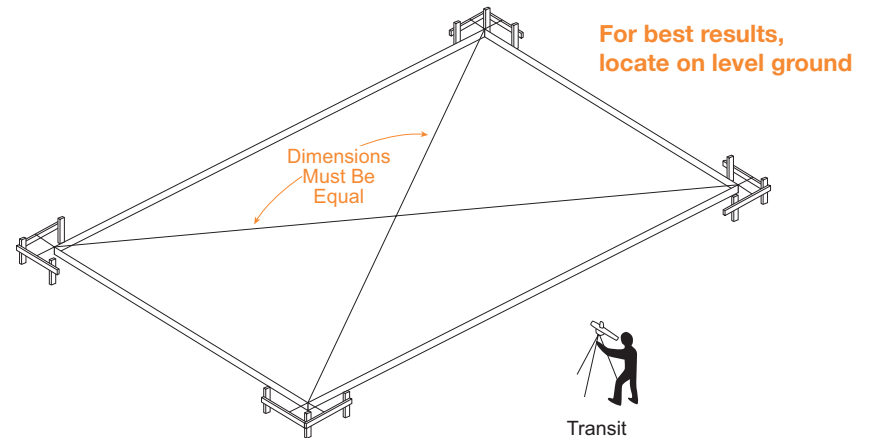


Back holes
39" deep

8" – 12" wide

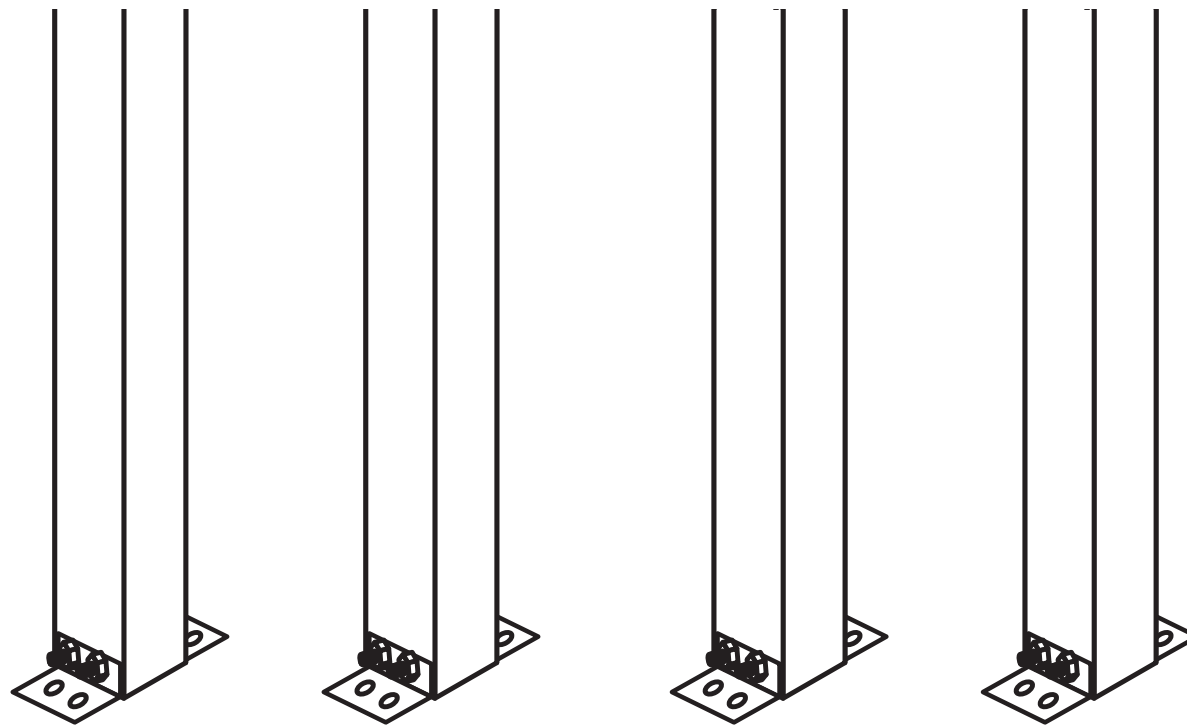


Front holes
27" deep



SET POSTS FOR LOAFING SHED**(DON'T SET POSTS IN CONCRETE UNTIL ALL RED IRON IS BOLTED TOGETHER)**

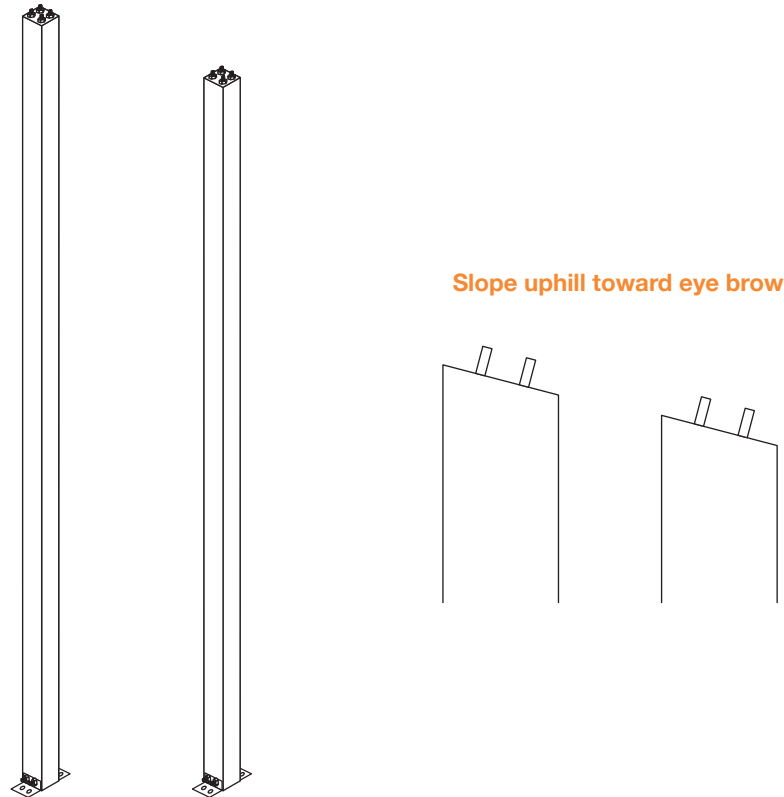
1. Bolt 2 clips to the bottom of each post and mark the uphill side of each post.



SET POSTS FOR LOAFING SHED (CONTINUED)**(DON'T SET POSTS IN CONCRETE UNTIL ALL RED IRON IS BOLTED TOGETHER)**

2. Put in first post and align back posts where the slope on the bolts is running uphill towards the front.
3. With dry concrete mix (don't add water), tamp in 1 corner post as a starting point for squaring the building.
4. Put the rest of the posts in the holes where the slope on the bolts is running uphill towards the front.

NOTE: Label which sides are the low and high sides with a marker before standing posts to better help insure correct installation.

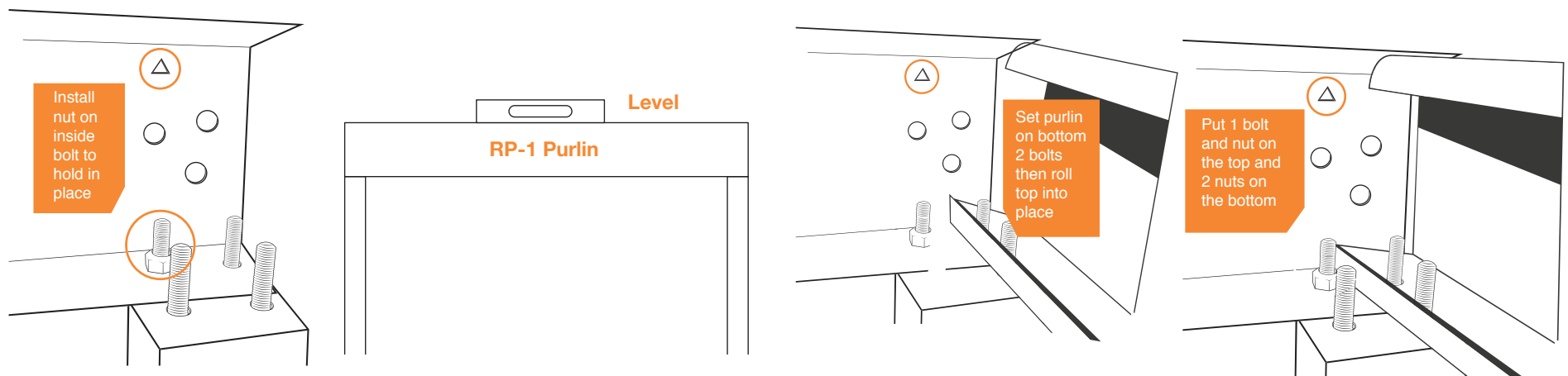


NOTE: Clips mount on the high and low side of the posts.

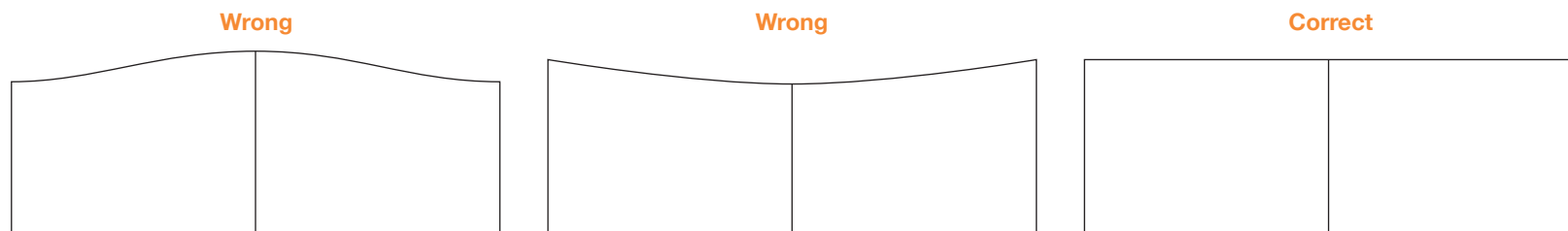
SET POSTS FOR LOAFING SHED (CONTINUED)

(DON'T SET POSTS IN CONCRETE UNTIL ALL RED IRON IS BOLTED TOGETHER)

- Assemble receiver channel **(with triangle facing up)** place a nut on the inside bolt to hold in place.
- Next install the front and back purlin to the top of posts. You will need to place the bottom holes of purlin on bolts, then roll the top into place. You will bolt the top of the purlin to the receiver with 1 bolt, and add the 2 nuts to the bottom.

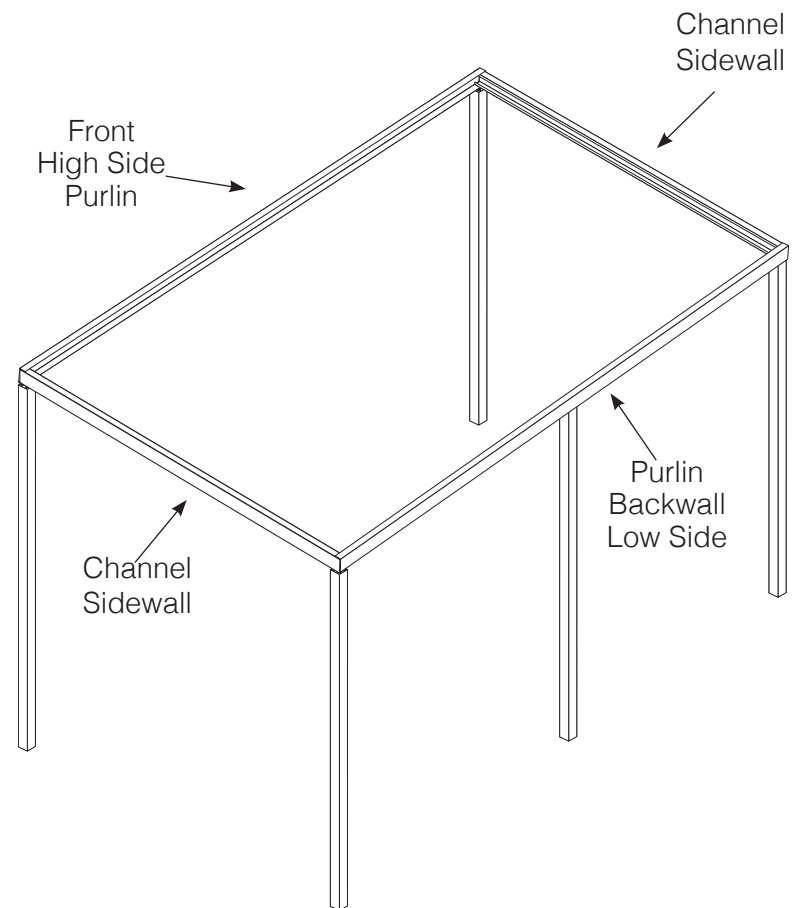
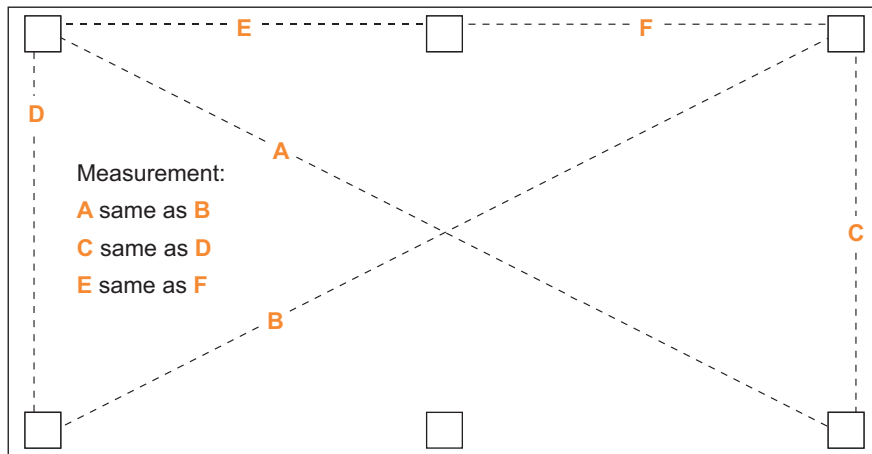


- When installing your back center posts, make sure that it is flush with the rest of the back posts. If the post is shorter or taller than the corner post, it can force your roof to bow or sag in the middle. To rectify this, you may need to either dig the hole out a little deeper to lower the post or tamp more dry concrete mix to raise it.



SET POSTS FOR LOAFING SHED (CONTINUED)**(DON'T SET POSTS IN CONCRETE UNTIL ALL RED IRON IS BOLTED TOGETHER)**

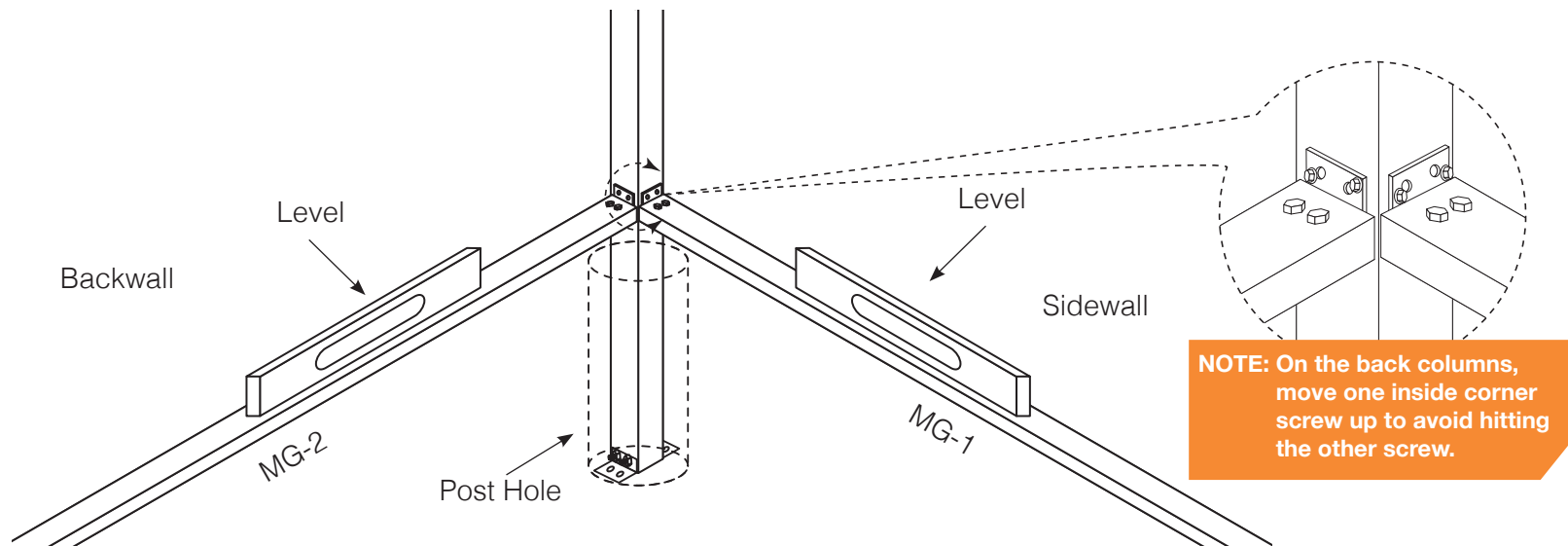
- With a 4' level, check to ensure the front and back purlins are level – you may need to raise or lower a corner post!
- Check for square – once close, use dry concrete to hold square.



ATTACHING WALL GIRTS AND REMAINING ROOF PURLINS

1. On the back wall corners – Measure down from the top of the roof purlin 9' (This will be where your clip attaches.)

(Note: This clip is facing up and you will need to stagger the back corner screws so they don't hit - see illustration below!)



NOTE: On the back columns, move one inside corner screw up to avoid hitting the other screw.

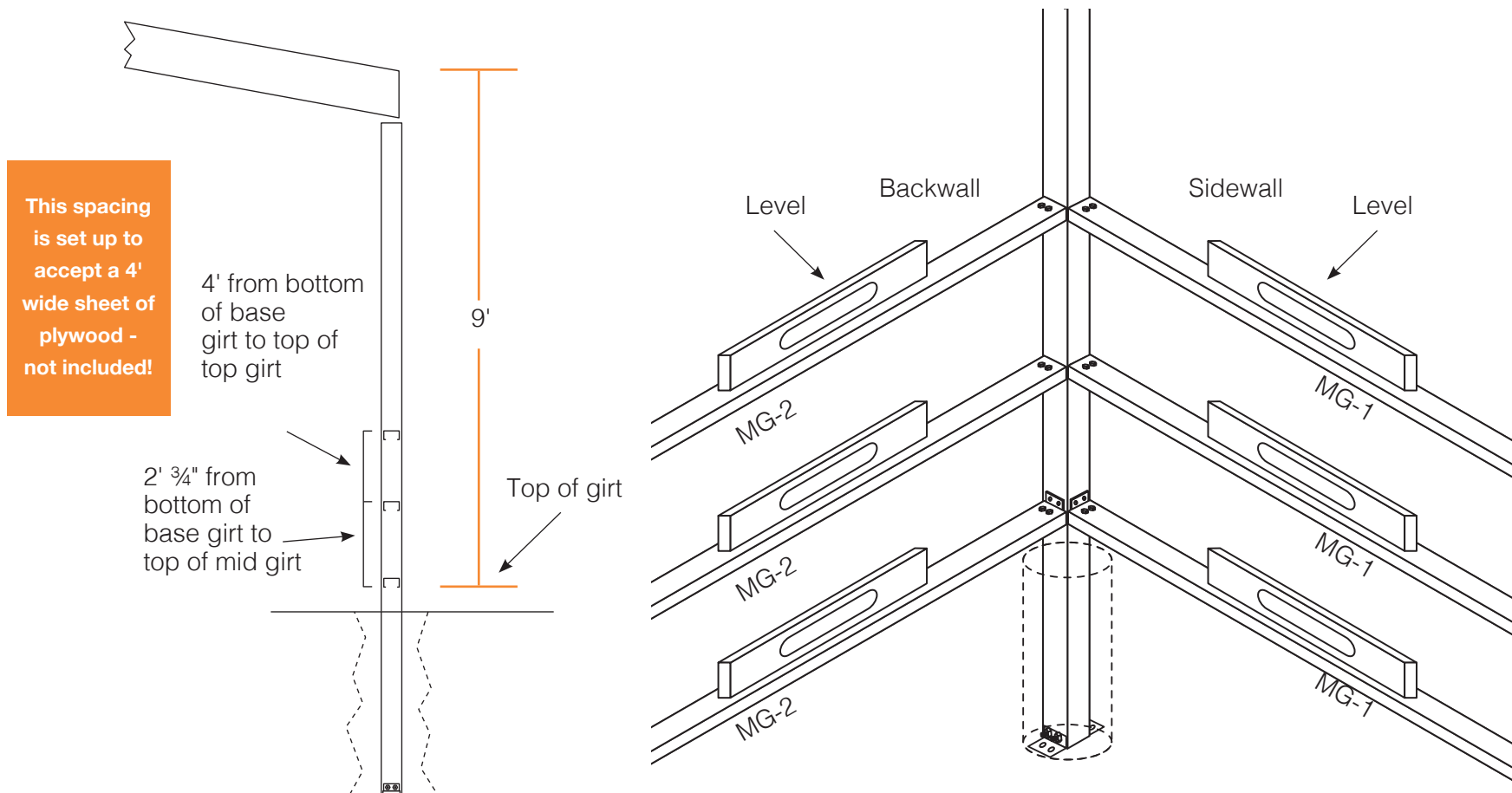
NOTE: 9' down from the top back wall will be the top of this wall girt. Use Tek-4 screws to attach clip to column.

2. Attach wall girt to back wall corner clips.
3. Use a level to move wall girts running to front corner until they are level with back corner clip. Once the girt is level, mark front columns. This is where your clip will attach. Attach the clip then bolt on the girt.
4. After the bottom row of wall girts are attached, check for square and make sure all columns are plumb, then use dry concrete mix to set all posts.

(Note: You should now have a level run of girts on 3 sides of the building!)

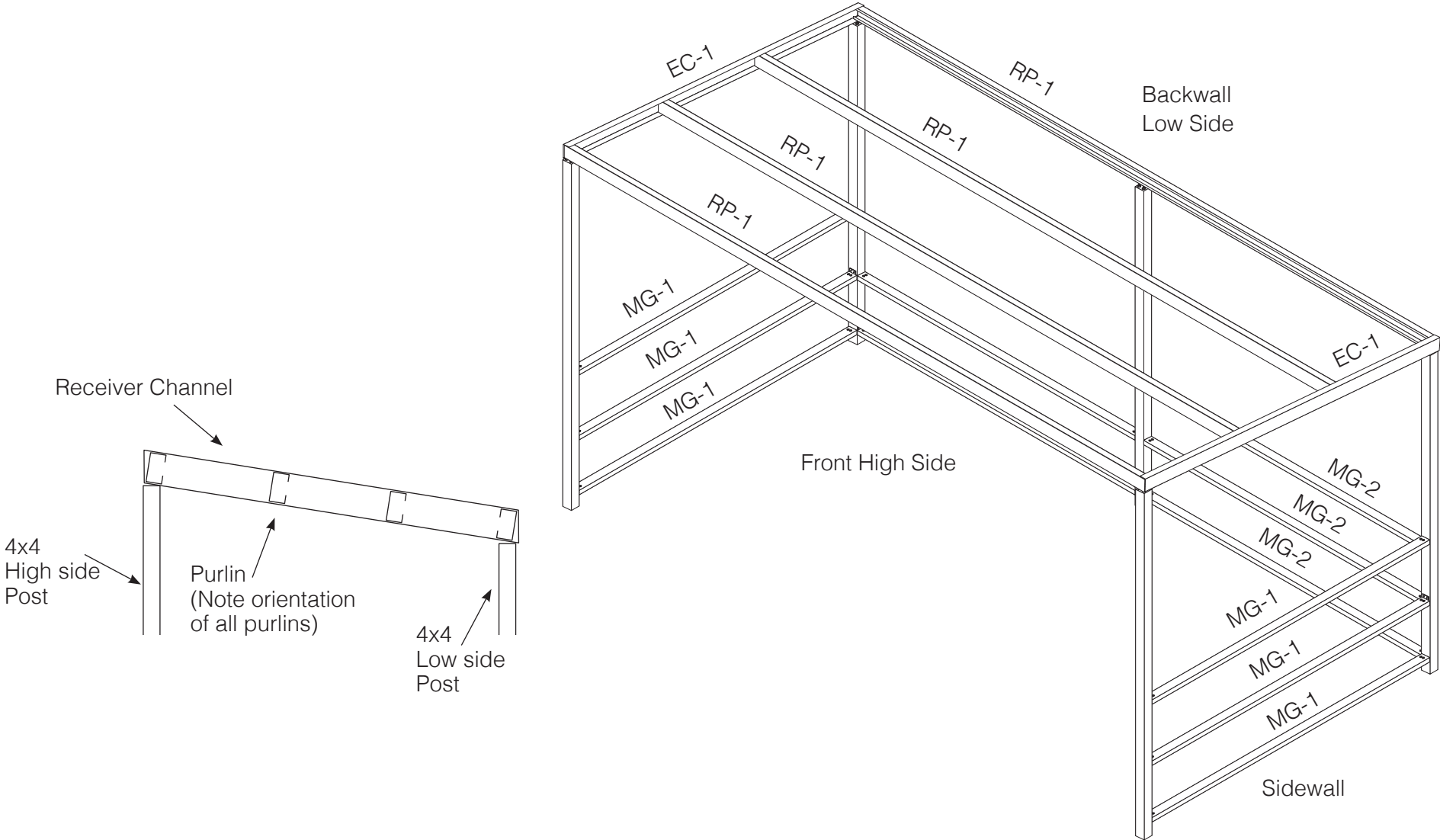
ATTACHING WALL GIRTS AND REMAINING ROOF PURLINS (CONTINUED)

- Next, measure up 2' $\frac{3}{4}$ " from bottom of wall girt and mark all columns. This will be the location of the next clip. Set clip and attach the row of girts. (Note: This clip is facing down and you will need to stagger the back corner screws so they don't hit - see illustration below!)
- Next measure up 4' from the bottom edge of the base girt and mark all columns. This will be the location of the next clip. Attach next row of girts.



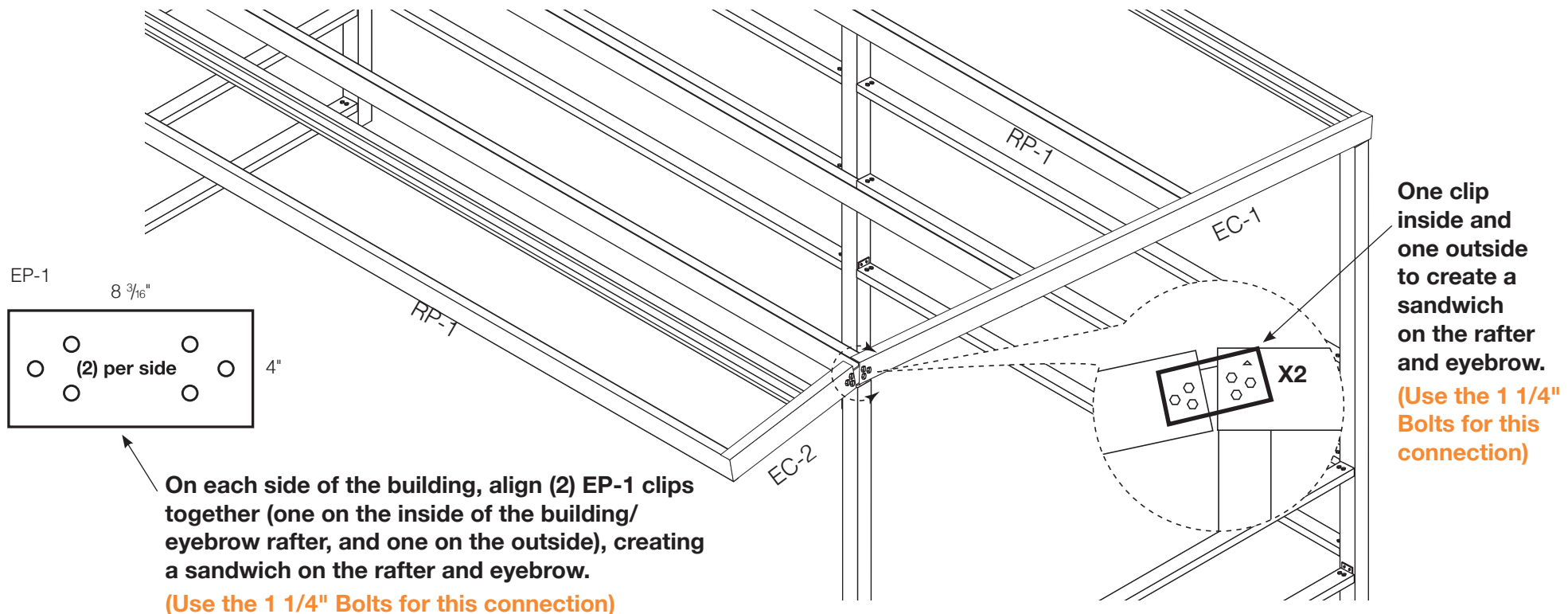
ATTACHING WALL GIRTS AND REMAINING ROOF PURLINS (CONTINUED)

7. Bolt in the 2 roof purlins (Open part of purlin should open towards back of the building).



ATTACHING EYEBROW (Use the 1 1/4" Bolts for this connection)

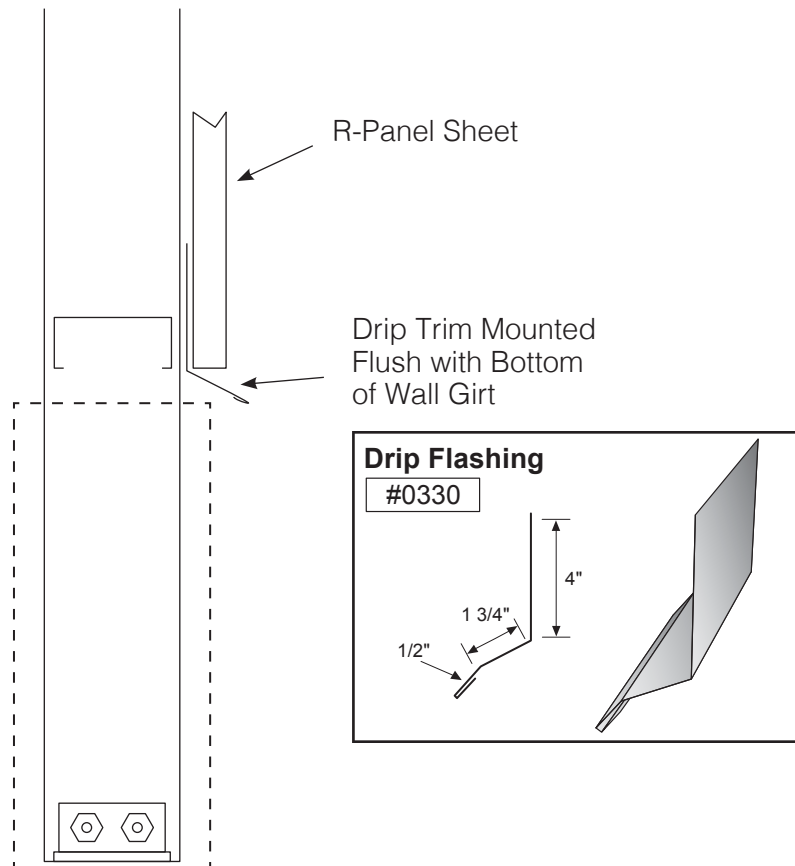
1. Find two EP-1's (flat clips with 6 holes) and attach inside and outside the receiver rafter on the high side. These holes are designed for a snug fit - so get all 3 started before proceeding to STEP 2. Don't tighten yet.
2. Next slide the 2' 11 1/4" receiver (EC-2) in between the flat plates to form the rafter eyebrow. These holes are designed for a snug fit - so get all 3 started, then tighten all 6 nuts. Repeat STEPS 1 and 2 for the other side.



3. Next attach the 2 purlins to the eyebrow starting with the one closest to the peak
4. Make sure that building is plumb and square, then ensure that all bolts are tight
5. Concrete in all columns and allow to cure before sheeting the building.

ATTACHING 0330 DRIP FLASHING

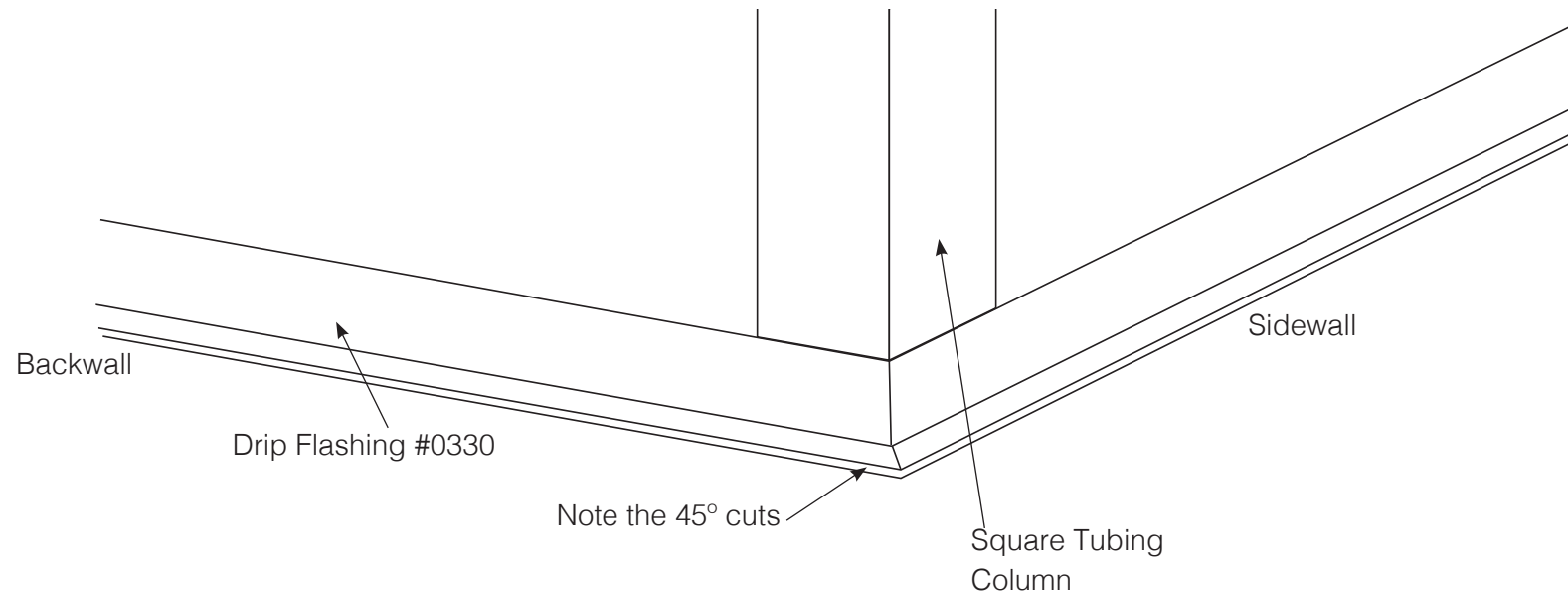
1. Attach the **0330** drip flashing 9'1½" down from the back wall (The bottom should be flush with the bottom of your wall girt).



2. Make sure the 0330 drip flashing sticks past the back corner columns 1¾" on both sides. Continue on the 2 sidewalls keeping the drip flashing level.
3. Use the SD #10 1" Pancake head screw (with Phillips head) to attach the 0330 drip flashing every 3' ensuring it is level.

ATTACHING 0330 DRIP FLASHING (CONTINUED)

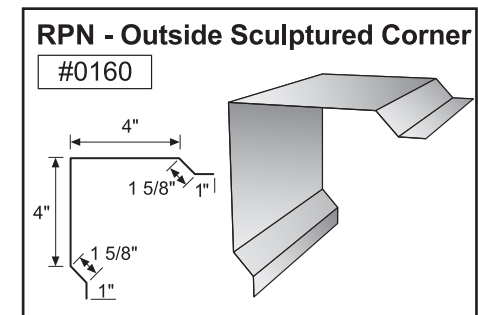
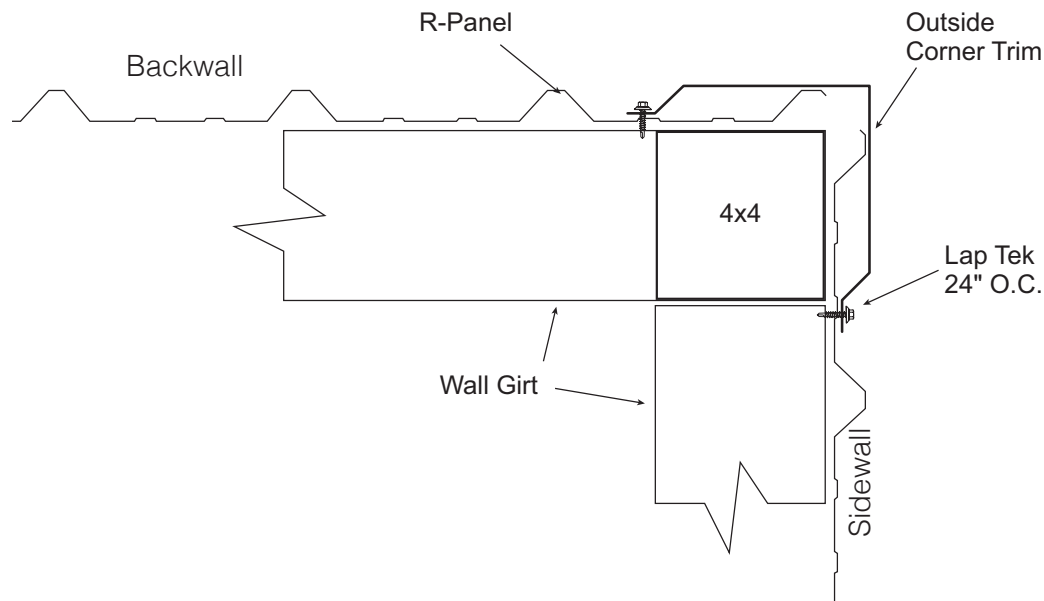
4. On the 2 sidewalls, the drip flashing should be flush with the front corner column, and stick past the backside corner column 1 $\frac{3}{4}$ ". If you cut a 45 off the sidewall piece, the corner will look nice.



ATTACHING WALL SHEETING

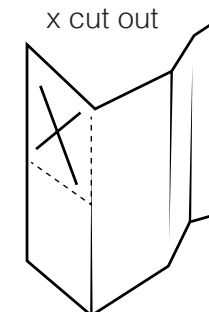
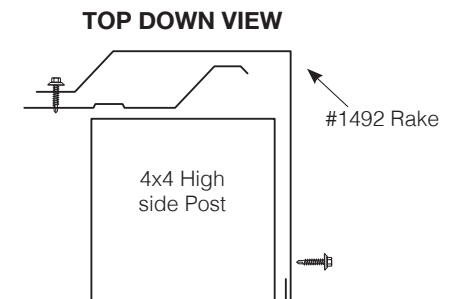
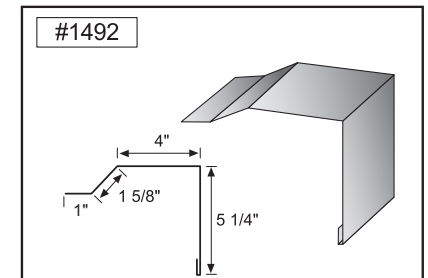
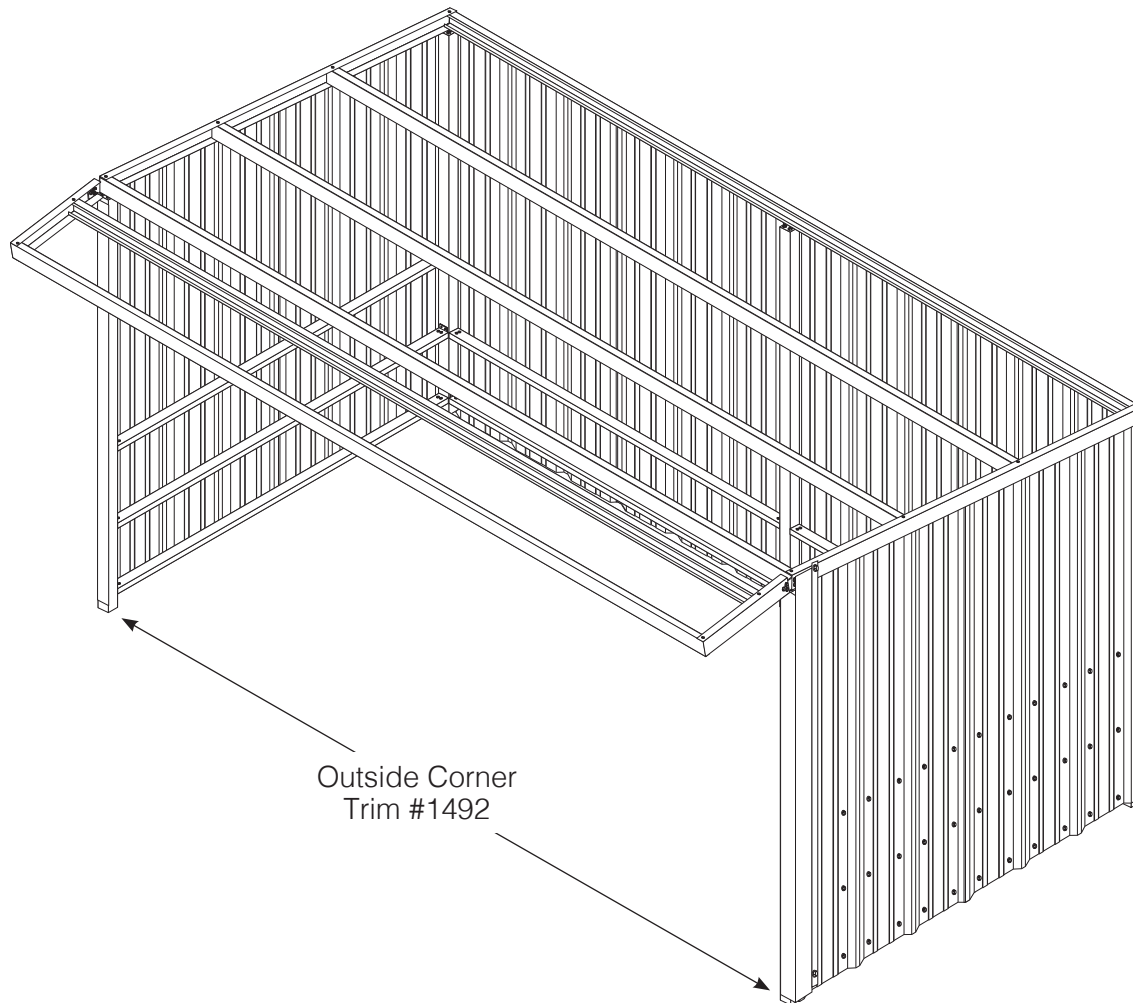
1. Next attach the back sidewall sheeting. The first sheet will start flush with the edge of the corner column. Make sure the sheet is level before screwing it to the wall girts with Tek #12 x 1 1/4" Screws. (Same color as wall sheet)
2. Continue across the back wall ensuring the sheets stay level and on 3' center.
3. Next the endwall sheeting. Again start flush at the back corner column attaching endwall sheeting. Your 1st sheet should be 9'1", these are intentionally short so you don't have to cut the angle. The rake trim will cover at the top.
4. Again make sure the sheets are level and staying on 3' center before screwing into wall girts.
5. Next attach the **0160** corner trim to the 2 back corners using lap screws. These lap screws should not hit the post or purlin, if they do, use a Tek #12 x 1 1/4" Screws. (Same color as trim)

Outside Corner Detail



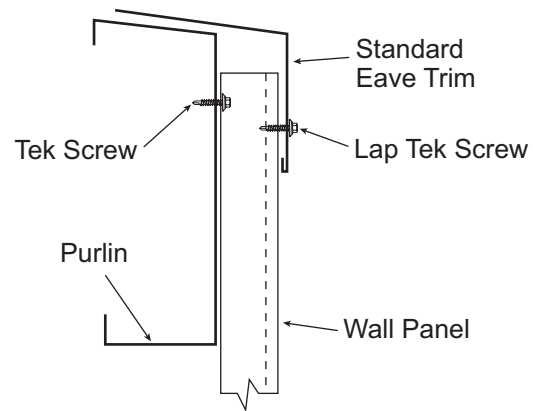
ATTACHING WALL SHEETING (CONTINUED)

6. Next attach the 1492 trim to the front corner with the flat side covering the square tubing. You will have to notch the 5 1/4" flat side to fit under the receiver rafter of the eyebrow. The flat side will need tek screws, the side will need lap screws.



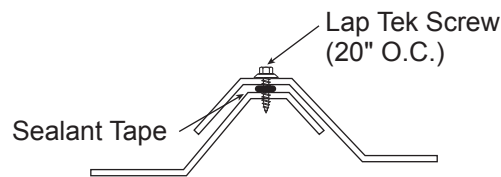
STANDARD EAVE TRIM

7. Next install the **0800** eave trim on the back sidewall (Using the SD #10 1" Pancake head screw (with Phillips head). Attach these screws to the top of the roof purlin on 3' centers. (Align both sides of the 0800 eave to the outside of the corner trim – any excess length can be in the overlap.)

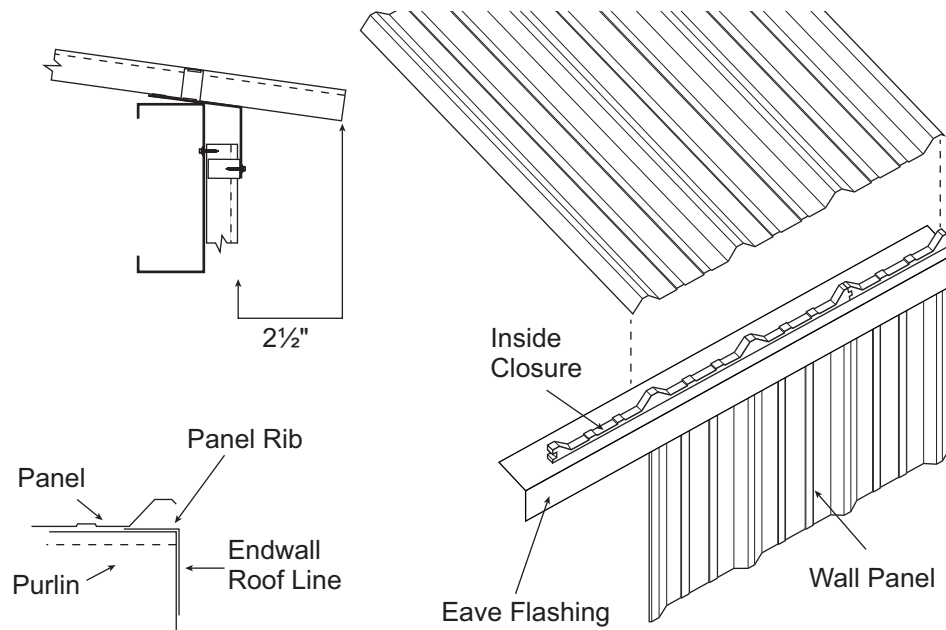


ATTACHING ROOF SHEETING

1. Install your inside closure making sure that highs fall on 3' centers (these will tend to stretch if you are not careful.)
2. Prior to putting sheet on roof install Sealant Tape on the lap side of the sheet.

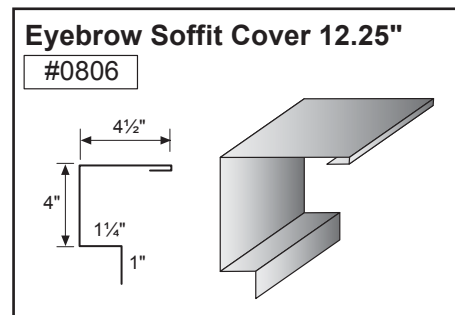
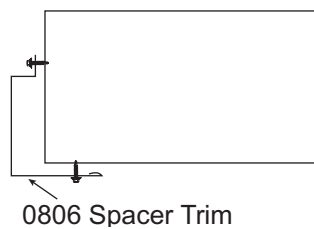


3. Next attach the roof sheeting. The first sheet will start flush with the edge of the receiver rafter. Make sure the sheet is overhanging the eave trim $2\frac{1}{2}$ " on both ends. Continue across the roof ensuring the sheets stay with a $2\frac{1}{2}$ " overhang throughout (your roof sheet ribs should match the ribs of you back sidewall).
4. Again make sure the sheets are staying on 3' center before screwing into roof purlin.

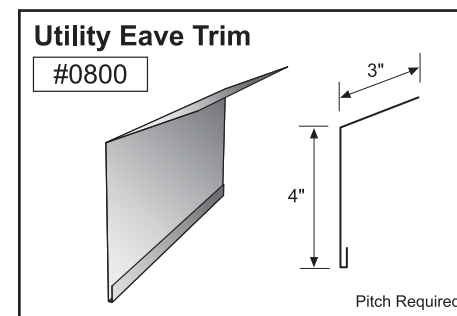
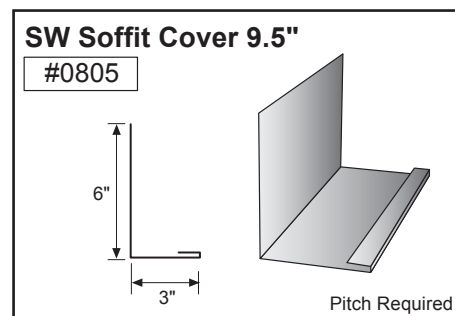
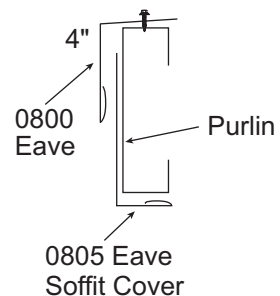


ATTACHING EYEBROW ROOF SHEETING

1. Prior to installing eyebrow check for square using the cross measurement method used previously. (this eyebrow is designed to be moved into square)
2. Install **0806** Rake Spacer Trim on the two outsides of the Receiver Rafter on eyebrow. (You will need to cut this on angle to fit against your corner trim and end flush with the outside eave purlin).

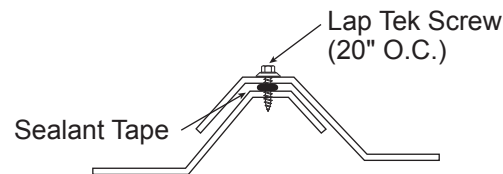


3. Install **0805** Soffit Trim Cover. This will cover the eave purlin on the eyebrow extending upwards 6". This will screw to the bottom of the purlin with a Tek screw and end flush on both sides with your Rake Spacer Trim.
4. Install **0800** Eave Trim. This will cover the remaining exposed purlin also ending flush with your Rake Spacer Trim. This will be screwed into the top of the purlin with #10 1" Pancake head screw (with Phillips head).

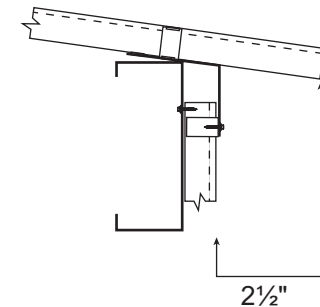
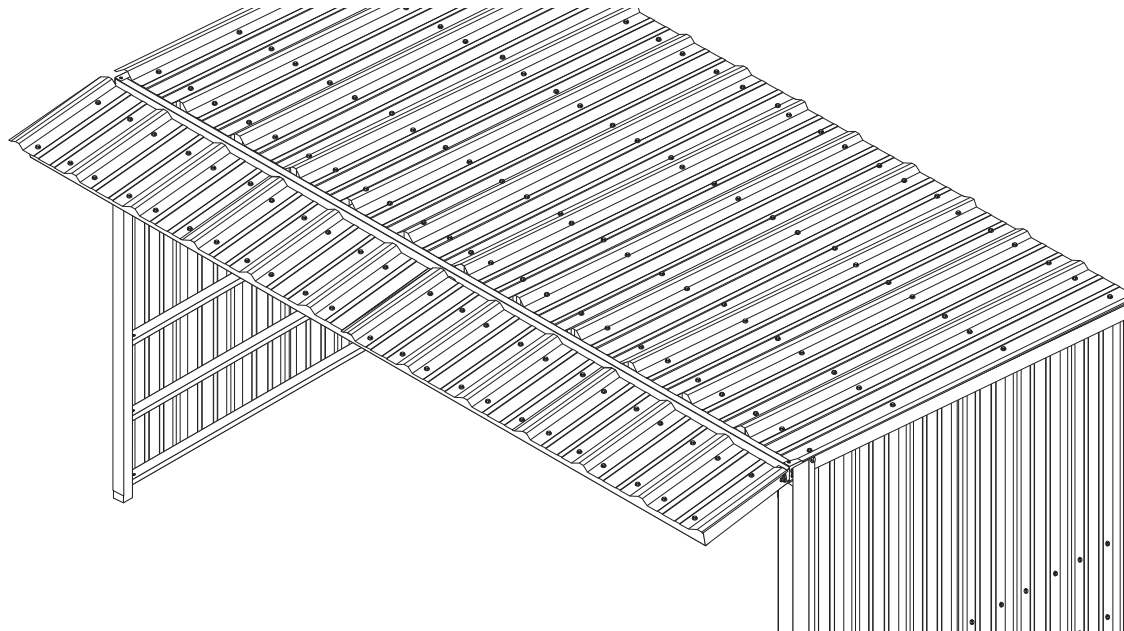


ATTACHING EYEBROW ROOF SHEETING (CONTINUED)

5. Install your inside closure making sure that highs fall on 3' centers (these will tend to stretch if you are not careful).
6. Prior to putting sheet on roof install Sealant Tape on the lap side of the sheet.

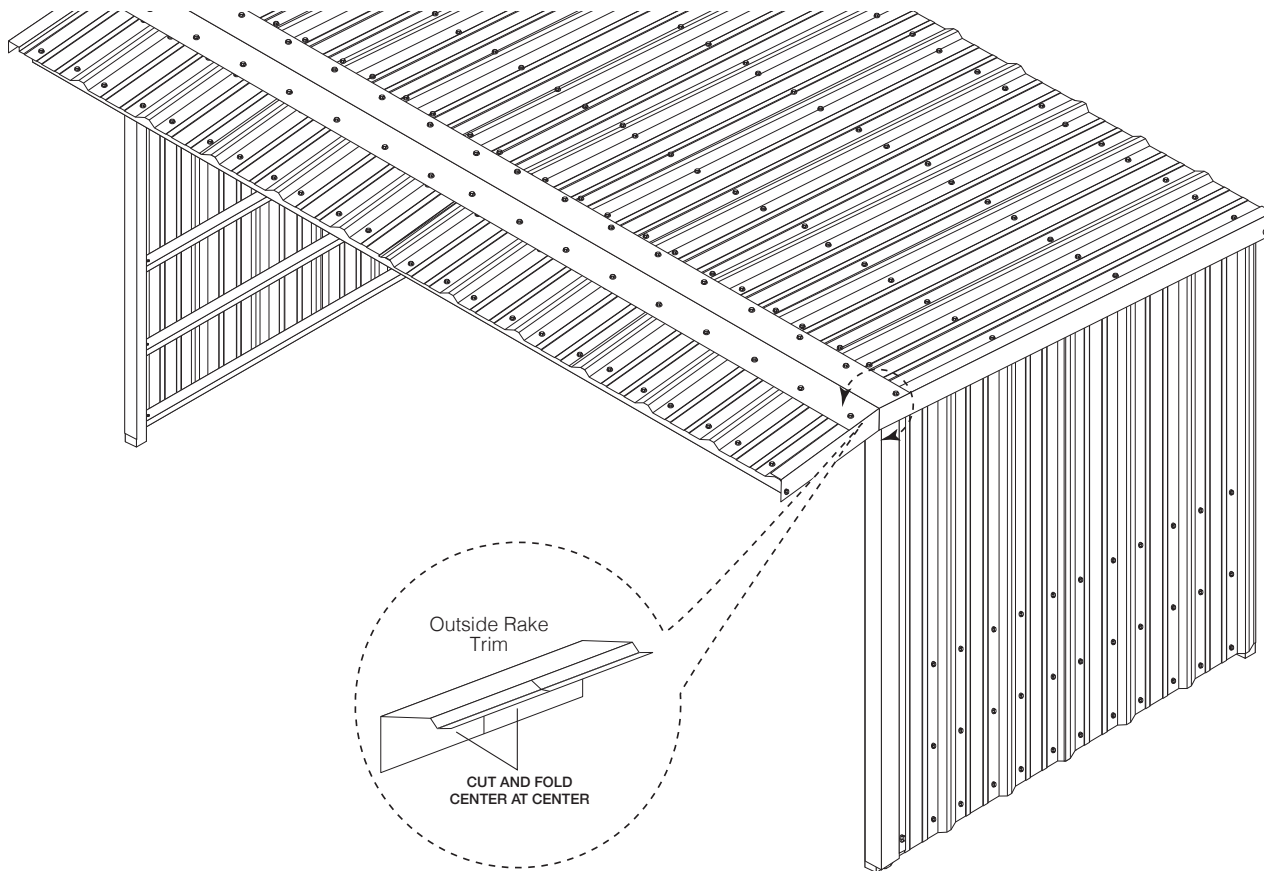


7. Next attach the roof sheeting. The first sheet will start flush with the edge of the receiver rafter (should line up with the backwall sheets). Make sure the sheet is overhanging the eave trim $2\frac{1}{2}$ " on both ends. Continue across the roof ensuring the sheets stay with a $2\frac{1}{2}$ " overhang throughout (your roof sheet ribs should match the ribs of main roof sheets).
8. Again make sure the sheets are staying on 3' center before screwing into roof purlin.

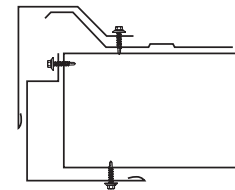


ATTACHING EYEBROW ROOF SHEETING (CONTINUED)

9. Install **1404** Rake Trim. Start by having this flush with the back edge of the main roof sheet. Mark the point where the main roof and the eyebrow meet.
10. Cut upwards on the 7¼" face of the trim to the first bend. Match this on the R panel leg only (you will leave the top 6" face uncut).
11. Fold the rake trim down to where it rests evenly on both the main roof and the eyebrow. Trim the front edge if need be to end flush with your eyebrow sheets.

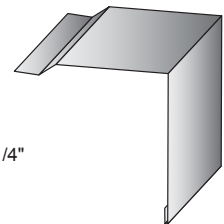
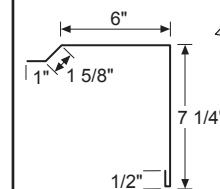


Eye Brow Detail



Loafing Shed Rake - 16.375"

#1404



RIDGE ROLL INSTALLATION

12. Install **0220** Ridge using lap screws ending flush with the outside edge of your rake trim. Outside foam closures are included if you would like to seal under the ridge or rake trim.

