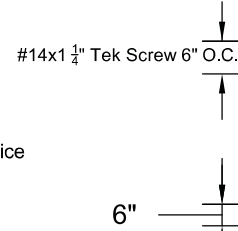
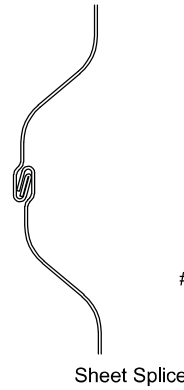
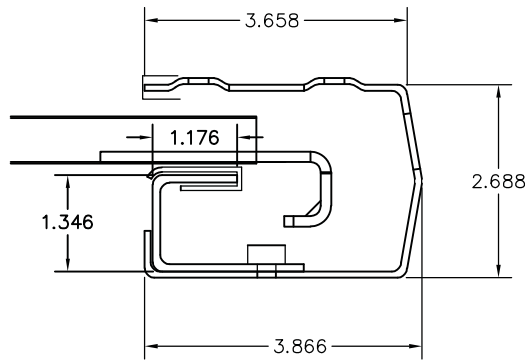
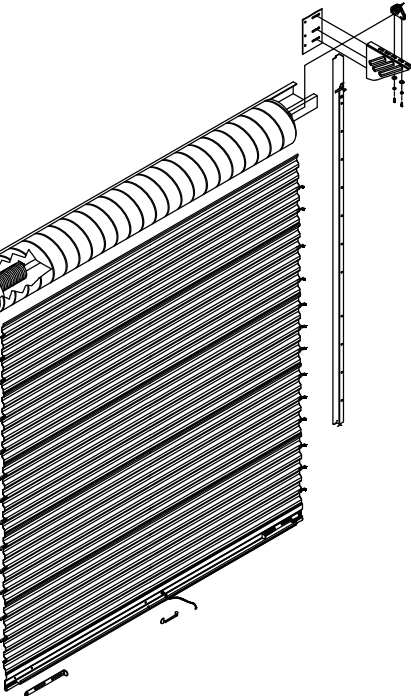
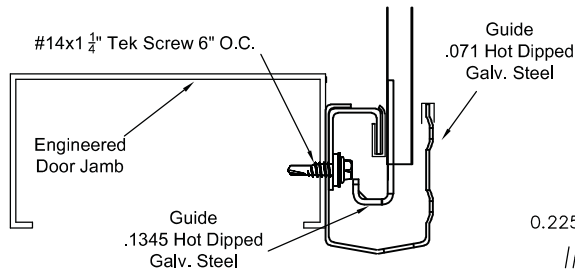
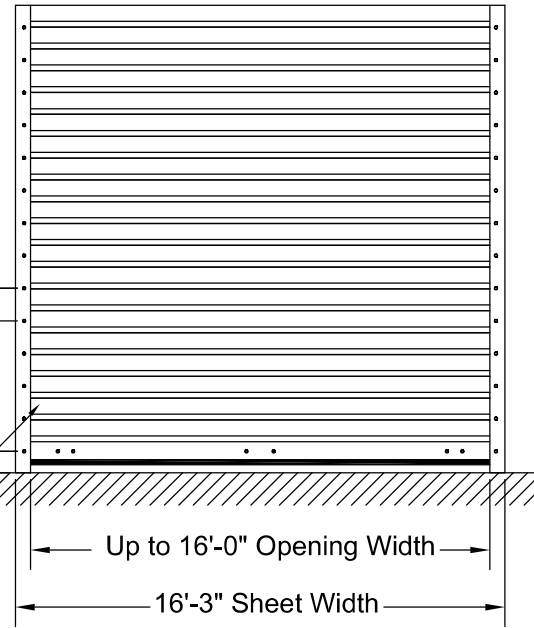


Note: Windlocks from .1345 Galv Steel & Riveted to Alternate Corrugations with 2 Steel Rivetes



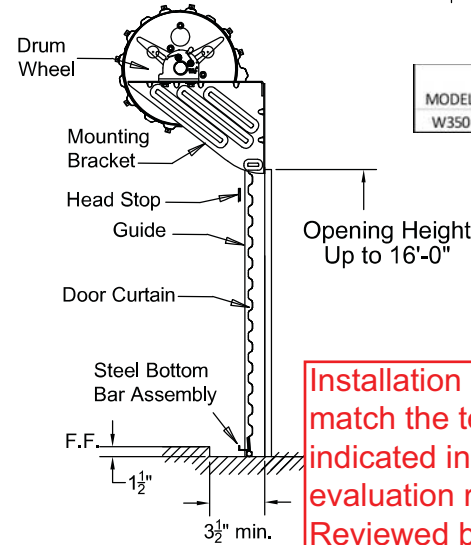
Door Curtain: .018 Gvl Steel Grade 80 With Full Coat of Primer & Baked Polyester Finish Coat.



Non Impact Pressure Test

MODEL	MAXIMUM DOOR WIDTH	MAXIMUM DOOR HEIGHT	DESIGN LOAD POSITIVE PSF	DESIGN LOAD NEGATIVE PSF
W350	16'-0"	16'-0"	41.8	-41.7

Date of Test Oct 15, 2018



Installation drawings match the test report indicated in the evaluation report. Reviewed by RKJ

